



SPECIFICATION

FOR APPRONAL

Customer : _____

Product Name : Hearing-aid _____

Model Name : VSR16-FE _____

Drawing No. : VS2018111417 _____

Signature of Voise

Approved by	Checkde by	Issued by	Date



福爱斯电子有限公司
VOISE ELECTRONICS CO.,LTD.

Office Add:Haoyangguang B-302# No.968 Baizhang Road,Ningbo China
Factory add: Shishan Industrial Park Moushan Town Yuyao City China
Tel:86-0574-87471601 Fax:86-0574-87471603 P.C.315000
Http://www.nbvoise.com E-mail:sales@nbvoise.com

Specification for Receiver		Page	3/6
Model No.:	VSR16-FE	Revision No.	1.0
		Drawing No.	VS2018111417

2. Scope

This document contains required environmental, electrical, acoustic, mechanical, package and reliability test requirement

3. General Characteristics

- 2.1 Out-Diameter : 16 mm
- 2.2 Height : 10.5 mm
- 2.3 Weight : 7 g
- 2.4 Operating Temperature : -20~+70°C without loss of function
- 2.5 Store Temperature : -20~+70°C without loss of function

4. Electrical and Acoustic Characteristics.

Test condition : 15 ~ 35 °C Temp., 25% ~ 75% RH, 86~106 kPa Refer to IEC60268-1

No	Items	Specification
1	Resistance	90 Ω ± 15% (at 1KHz)
1	Impedance	200 Ω ± 15% (at 1KHz)
2	Sound Pressure Level	113 dB ± 3dB at 1KHz 150Ω,750MV
3	Frequency Range	300Hz ~3.4KHz
4	Input Power	Rated 1m W / Max.30m W
5	Buzz and Rattle	Should not be audible buzzes, rattles when the 1.2V sine wave signal swept at frequency range.
6	Material	Cap Al Finish

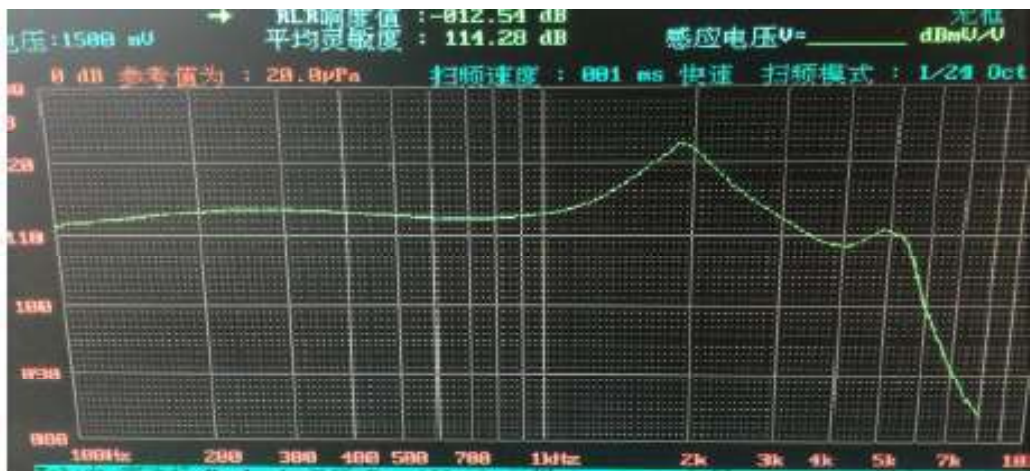
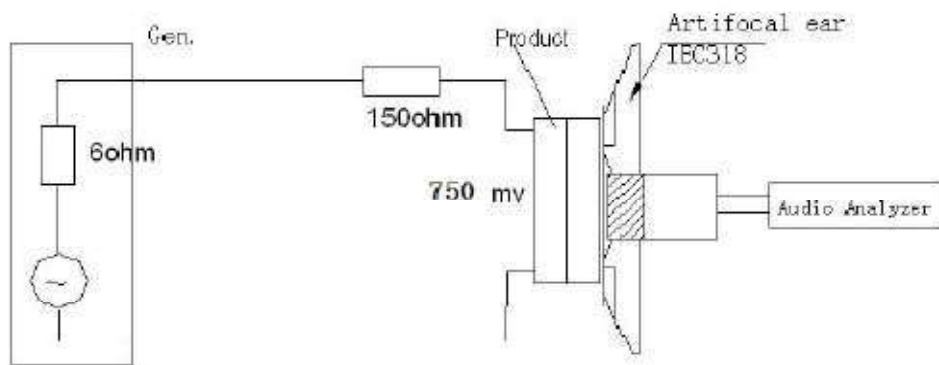
5. Reliability Test

After test(1~5item), the speaker S.P.L . difference shall be within ±3dB, and the appearance not exist any change to be harmful to normal operation

No	Items	Specification
1	High Temp.Test	Keep 96 hours at +70±3 °C, and leave 2 hours in normal temperature and then check.
2	Low Temp.Test	Keep 96 hours at -20±3 °C, and leave 2 hours in normal temperature and then check.
3	Humidity Test	Keep 96 hours at -20±3 °C, relative humidity 90 to 95% and leave 2 hours in normal temperature and then check.
4	Drop Test	Free drop from 0.75 meter height to a board 40mm thick hard wood board. and be nothing mechanical damage. total 6 times.

Specification for Receiver		Page	4/6
		Revision No.	1.0
Model No.:	VSR16-FE	Drawing No.	VS2018111417

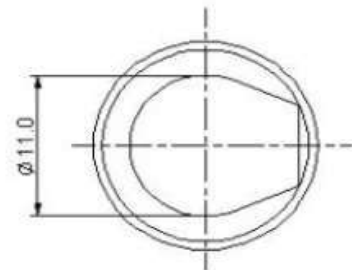
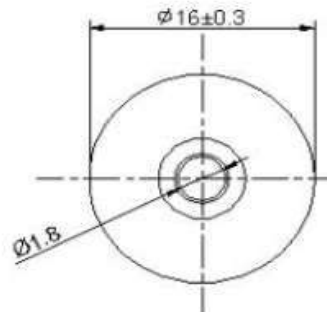
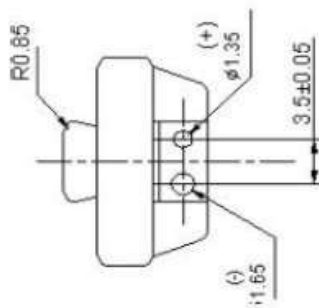
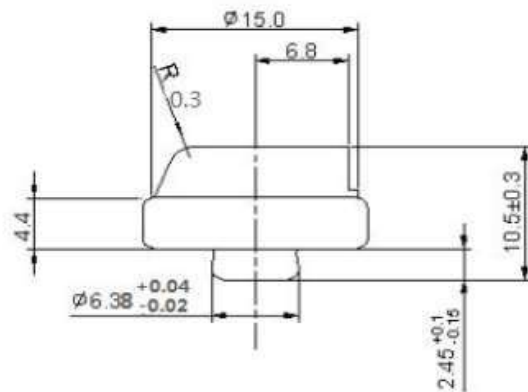
6. Measurement Method & Frequency Response curve



Brüel & Kjær

Specification for Receiver		Page	5/6
		Revision No.	1.0
Model No.:	VSR16-FE	Drawing No.	VS2018111417

7. Dimensions



FIRST ANGLE PROJECTION



UNIT : mm

Tolerance : ±0.2



Specification for Receiver		Page	6/6
		Revision No.	1.0
Model No.:	VSR16-FE	Drawing No.	VS2018111417

8. Packing

Each minimum package unit of products shall be in a carton box and it shall be clearly marked with Part Number ,quantity and outgoing inspection number.

There shall be no mechanical damage on products during in storage.