

SPECIFICATION

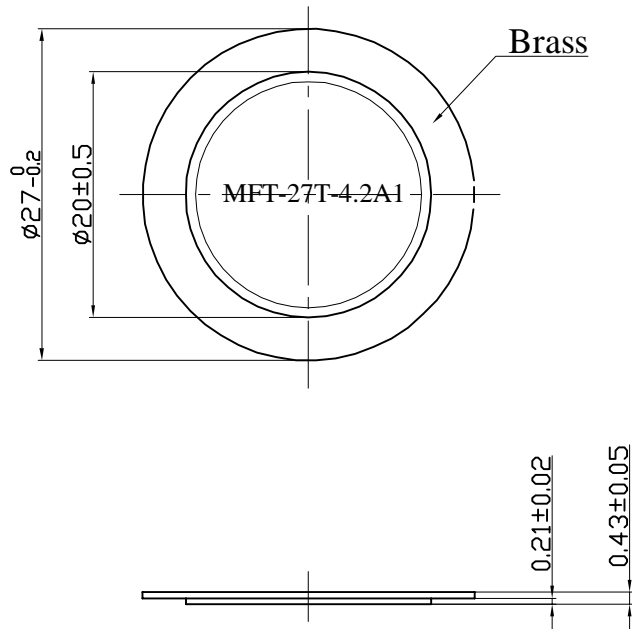
1. SCOPE

This specification is applied to the piezo-element.

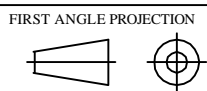
2. SPECIFICATION

(at 25°C)

- | | | |
|---------------------------|---|------------------------|
| 2.1 Resonant Frequency | : | 4.2 ± 0.5 KHz |
| 2.2 Resonant Resistace | : | 500 Ω max |
| 2.3 Capacitance | : | 23000pF ± 30% at 100Hz |
| 2.4 Input Voltage | : | 30Vp-p max |
| 2.5 Operating Temperature | : | -20~+50°C |
| 2.6 Storage Temperature | : | -20~+70°C |
| 3. DIMENSION | : | as per figure |



TOLERANCES UNLESS NOTED OTHERWISE .X ± .XX ± .XXX ± 90° FORMED +2° ANGLES -1°	DRAWN		KEPO MODEL NO.	CUSTOMER				
	DESIGN		MFT-27T-4.2A1-2371	QUARTZ				
	CHECKED			CUSTOMER NO.				
	APPROVED		DWG NO.	OEM2371	VER	1.0	SCALE	
	DATE	06.10.22			UNIT	mm	SHEET	
	CONTRACT NO.			KEPO CO.,LTD.				
AGENCY APPROVAL			TEL:(+86)574-88370330 FAX:(+86)574-88370329					



1

2

3

4