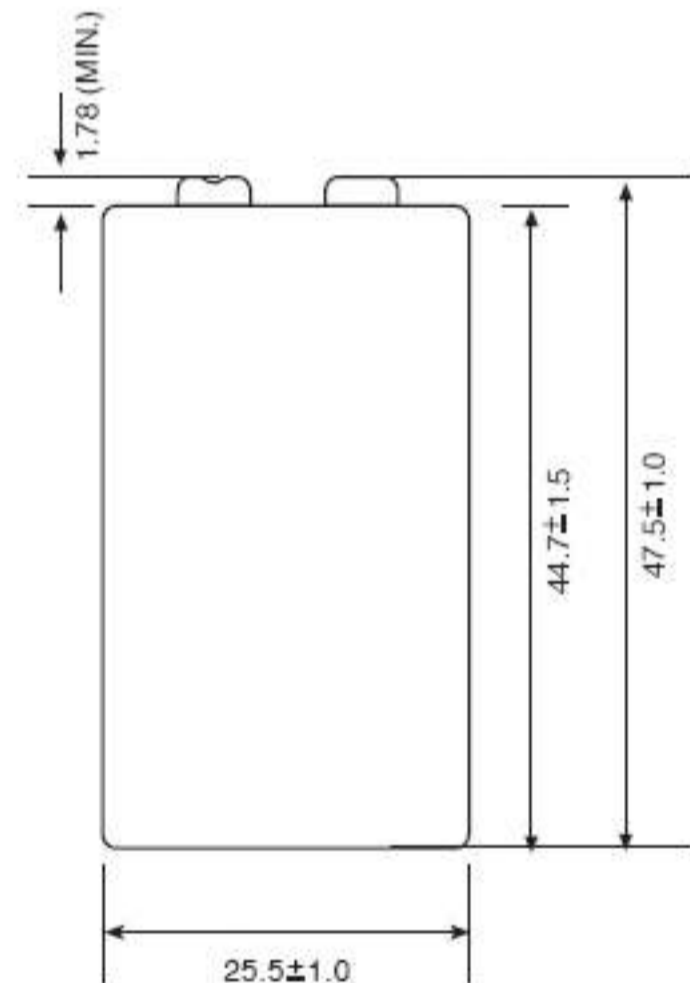
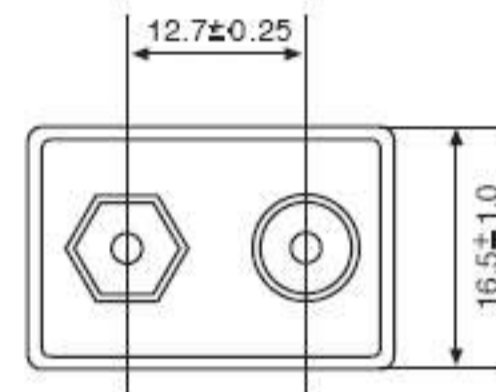


Model No.: **GP1604AU**

NO MERCURY ADDED	
Description	: Alkaline Manganese 9V Battery
Chemical System	: Alkaline Manganese Dioxide
Nominal Voltage	: 9.0 Volts
Nominal Dimensions	: 25.5 (L)mm x 16.5 (W)mm x 47.5 (H)mm
Operating Temp.	: -20 - 60 °C , 65 % RH Max
Storage Temp.	: 15 - 25 °C , 45 - 75 % RH
Terminal	: Nickel plated miniature snap fasteners
Jacket	: Printed metal jacket
Internal Connection	: Welding
Application	: All electronics devices
Nominal Weight	: 48g
Date Code	: Unless otherwise specified, every battery will carry a 6 digits (MM-YYYY) expiry code.
Special Feature	: World class explosion proof



Unit : mm

Cross References:

GP	JIS	IEC	Eveready	Duracell
1604A	6LF22	6LF22	522	MN1604

Electrical Characteristics

Test Items	Test Conditions 25 ± 2°C 60 ± 15%RH	Specification (Volt), min			
		3 months	1 year	3 years*	5 years*
OCV		9.55V	9.30V	9.10V	8.90V
CCV	47Ω, 0.3 s	8.65V	8.00V	7.70V	7.30V

Discharge Capacity

Test Items	Test Conditions 25 ± 2°C 60 ± 15%RH (EV=End Voltage)	Specification (Hours), mean			
		3 months	1 year	3 years*	5 years*
Duration	270 Ω Intermittent 1 h/d EV=5.40V	20.5	20.2	18.7	16.7
	620 Ω Intermittent 2 h/d EV=5.40V	49.0	47.2	45.0	44.0
	10 kΩ background 24 h/d, 620 Ω 1 s/h pulse EV=7.50V	Specification (Days), mean			
		20.0	19.5	18.5	17.5

* Storage performance is estimated.

The information (subject to change without prior notice) contained in this document is for reference only and should not be used as a basis for product guarantee or warranty. For applications other than those described here, please consult your nearest GP Sales and Marketing Office or Distributors.

www.gpbatteries.com

Manufacturer reserves the right to alter or amend the design, model and specification without prior notice.
Copyright © GPI International Ltd. - All rights reserved

Member
Gold Peak Group

0511011056