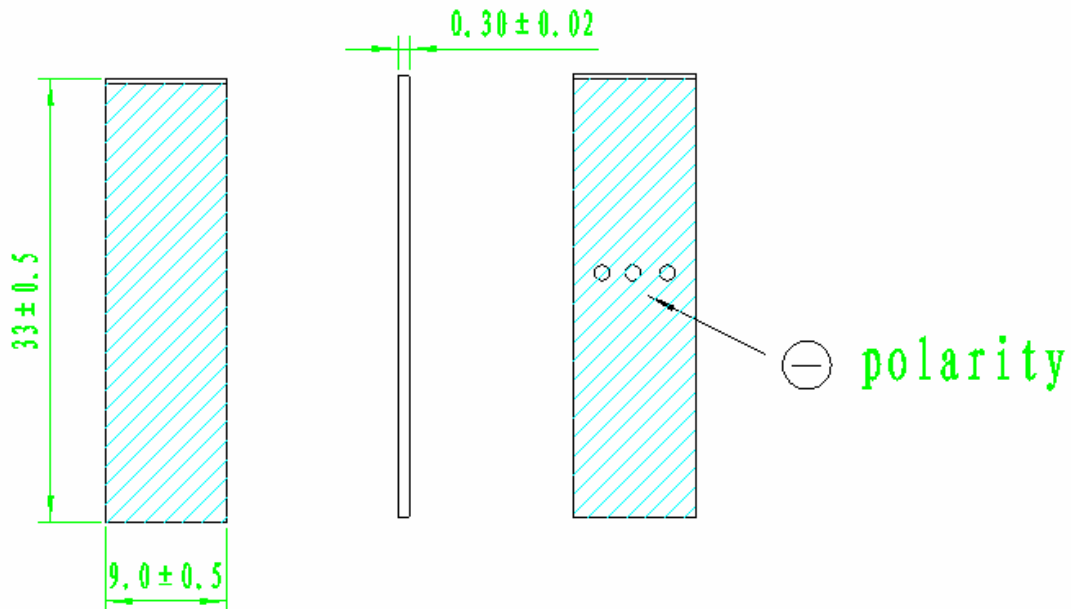


PIEZO ELEMENT SPECIFICATIONS

MODEL: AW1Y3309030EF

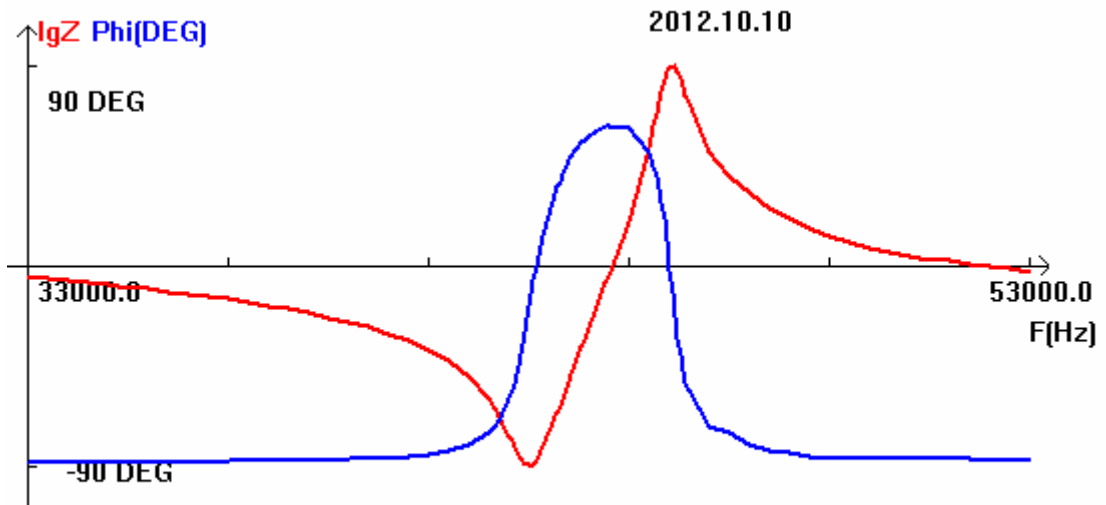
| Item | Unit | Standard | (Test condition): T=25 °C |
|-----------------------------|------|-------------|-----------------------------------------|
| Resonant frequency | kHz | 43.0 ± 5.0 | PV70A |
| Electrostatic capacity | pF | 25000 ± 30% | Digital electric bridge At 1000Hz/1V |
| Resonant impedance | Ω | 50 MAX. | PV70A |
| Ceramic length | mm | 33.0 ± 0.5 | Vernier caliper |
| Ceramic width | mm | 9.0 ± 0.5 | Vernier caliper |
| Total height | mm | 0.30 ± 0.02 | Micrometer |
| Operating temperature range | °C | -20 to +70 | ... |
| Storage temperature range | °C | -30 to +80 | ... |

APPEARANCE AND DIMENSIONS:



Remark: The Pb in ceramic is exempt, other ingredients are all ROHS compliant

■ TYPICAL FREQUENCY RESPONSE CURVE



■ MEASURING PROCEDURE

The node held with a measuring terminal, the resonant frequency and resonant impedance are measured in the constant-voltage circuit.

