

Micro Switch

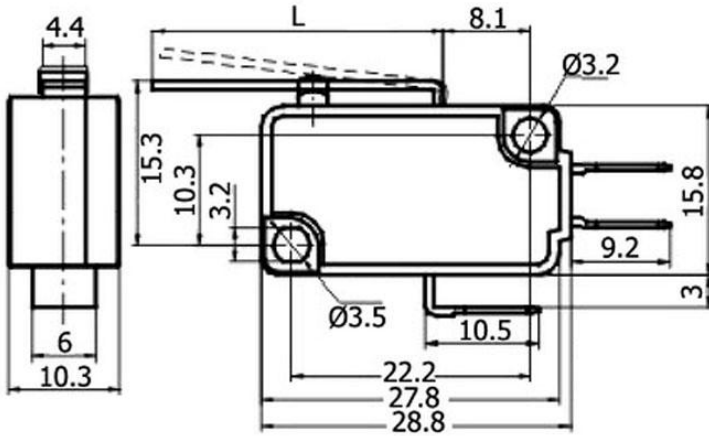
Q-1733 A

TYPE: **SF-6007.0**

SPECIFICATIONS

Rating: 3A 250V AC
Contact R: 50mΩ max
Insulation R: 500V DC 100MΩ min
Dielectric Strength: 1 Minute 1500V AC
Operating Temperature: -25°C ~ +80°C
Electrical Life: 100,000 Cycles
L, mm: 51

Outline Drawing



Mounting

Circuitry

