

SPECIFICATION

FOR APPROVAL

Customer : _____

Product Name : Piezo Siren _____

Model Name : VSH4510 _____

Drawing No. : VS20200728016 _____

Signature of Voice

Approved by	Checkde by	Issued by	Date



福爱斯电子有限公司
VOISE ELECTRONICS CO.,LTD.

Office Add:Haoyangguang B-302# No.968 Baizhang Road,Ningbo China

Factory add: Shishan Industrial Park Moushan Town Yuyao City China

Tel:86-0574-87471601 Fax:86-0574-87471603 P.C.315000

Http://www.nbvoise.com E-mail:sales@nbvoise.com

Specification for Piezo Siren	Page	3/5
	Revision No.	1.0
Model No. : VSH4510	Drawing No.	VS20200728016

2. Scope

This specification is applied to the siren used for sounder in alarm systems, Please contact us when using this product for any other applications than described in the above.

3. General

- 2.1 Out-Diameter : 41x36 mm
- 2.2 Height : 16 mm
- 2.3 Weight : 10 ±1g
- 2.4 Operating Temperature range:
-20~+60°C without loss of function
- 2.5 Store Temperature range:
-30~+70°C without loss of function

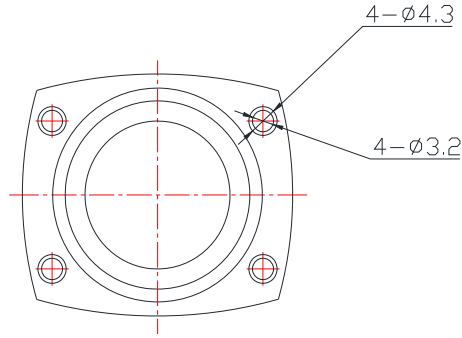
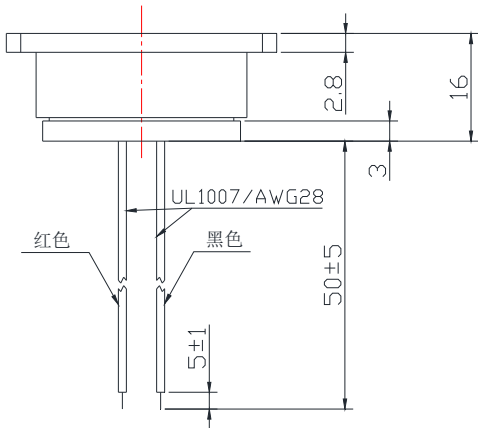
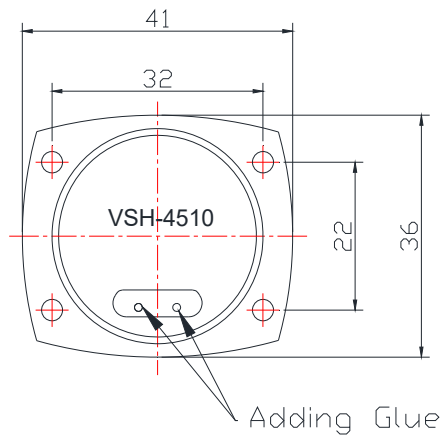
4. Electrical and Acoustic Characteristics.

Test condition : 15 ~ 35 °C, 25% ~ 85% RH, 860~1060 mbar

No	Items	Specification
1	Rated Voltage	2.83Vrms Sine wave
2	Max Rated input Voltage	60Vrms Sine wave
3	Frequency Range	2-6kHz
4	Min Sensitivity	80±5dB/2.83Vrms Sine wave/30CM/2-6kHz
5	Capacitance at 100Hz	25000pF±30%
6	Case Material	ABS
7	Color	Black

Specification for Piezo Siren	Page	4/5
	Revision No.	1.0
Model No. : VSH4510	Drawing No.	VS20200728016

5. Dimensions



FIRST ANGLE PROJECTION

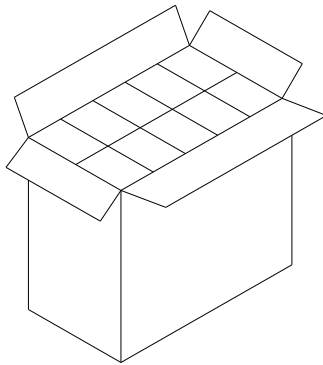
UNIT : mm
Tolerance : ±1.5

Specification for Piezo Siren	Page	5/5
	Revision No.	1.0
Model No. : VSH4510	Drawing No.	VS20200728016

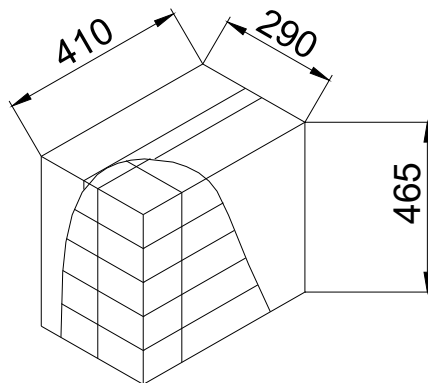
6. Packing

Each minimum package unit of products shall be in a carton box and it shall marked with Part Number ,quantity. There shall be no mechanical damage on products during transportation and/or in storage.

Picture1(1PCS)



Picture2(100PCS)



Picture3(100PCS)

Total:100 pcs per box
Size:40X40X24.5CM