

## ◆Features

- Ceramic base with metal lid for excellent long-term stability
- Tight Frequency tolerance and stability
- Miniature size
- Wide Frequency Range



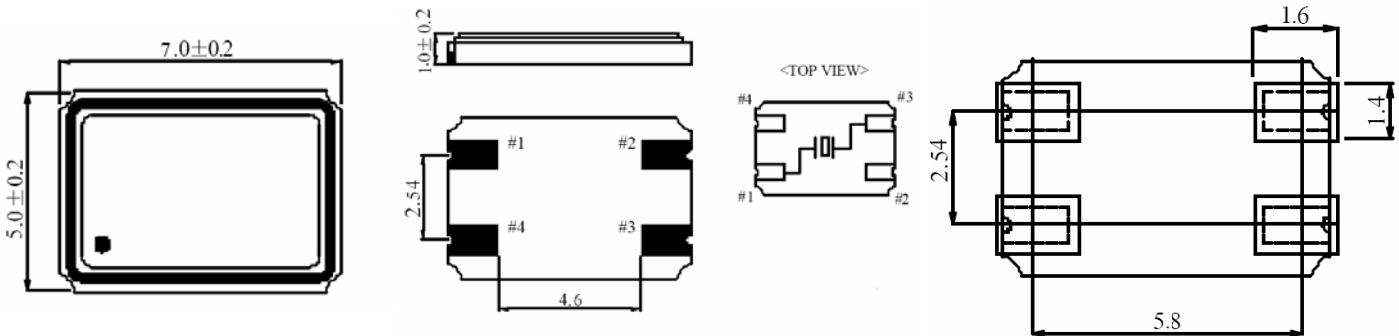
## ◆Electrical Specifications

Parameter	Specification
Frequency Range $F_O$	6.000~100.000MHz
Frequency Tolerance at 25°C $F_L$	$\pm 10\text{ppm}$ , $\pm 20\text{ppm}$ , $\pm 30\text{ppm}$
Frequency Stability over Operating Temp. Range $T_L$	$\pm 10\text{ppm}$ , $\pm 20\text{ppm}$ , $\pm 30\text{ppm}$ Over -10 ~+60°C
Operating Temperature $T_0$	-10 ~+60°C
Storage Temperature $S_T$	-40~+85°C
Load Capacitance $C_L$	Series, 8pf, 10pf, 12pf
Shunt Capacitance $C_0$	7pF Max.
Equivalent Series Resistance $R_S$	See below Table
Insulation Resistance $I_R$	500 $\Omega$ (DC500 $\pm$ 10V)min
Drive Lever $D_L$	10uW(300uW Max)
Aging@25°C	$\pm 5\text{ppm}$ Max.

## ◆ESR and Mode of Vibration

Frequency Range	Mode	ESR ( $\Omega$ Max)
6.000~8.000MHz	Fund	60
8.000~40.000MHz	Fund	50
40.000~100.000MHz	3 <sup>rd</sup> Overtone	40

## ◆Mechanical Dimensions (mm)



## ◆Part Number Information

FLT-SX7S	14.576	18	10	10	50	T1
Type	Frequency	Capacitance	Tolerance	Stability	ESR	Operating Temp
	14.576:14.576 MHz	in pF 18:18pF	at 25°C 10: $\pm 10\text{ppm}$	Over Temp 10: $\pm 10\text{ppm}$ over -10~+60°C	50: 50 $\Omega$ Max	blank=-20~+70°C T1=-10~+60°C T2=-40~+85°C

**Note:** All specifications subject to change without notice.