


	DATE	23-10-15	SPECIFICATION	NingBo Best Group Co.,Ltd.
	PAGE	1/8		www.fbele.com
	<i>MODEL NAME: SMT9018</i>			

SPECIFICATION FOR APPROVAL PIEZO TRANSDUCER

Model Name	SMT9018
Note	

Product Photo	
	DRAWING: Sunny
	CHECKED: Alice
	APPROVED: Andy

NingBo Best Group Co.,Ltd.
Tel: +86-574-87793491 Fax: +86-574-87792835
E-mail:sales@fbele.com

	DATE	23-10-15	SPECIFICATION	NingBo Best Group Co.,Ltd.
	PAGE	3/8		www.fbele.com
	<i>MODEL NAME: SMT9018</i>			

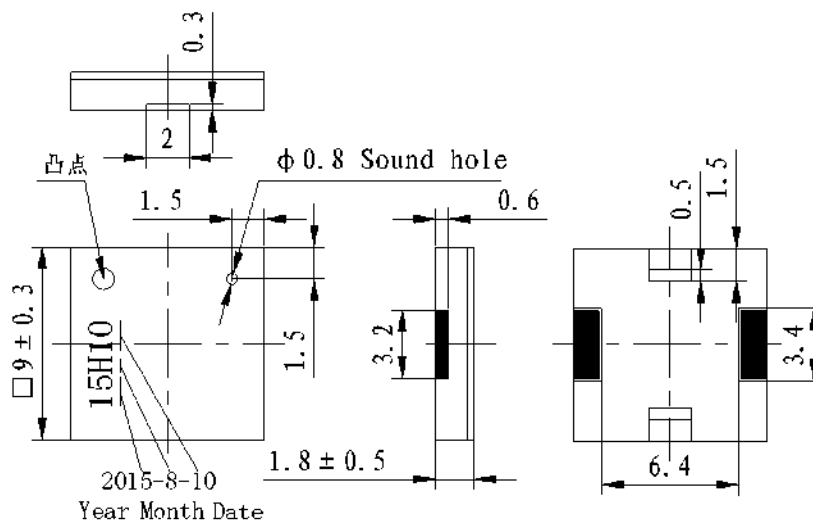
SMT9020 PIEZO TRANSDUCER

1	Rated Voltage (Vp-p)	3
2	Resonance Frequency (KHz)	4.0±0.5
3	Max Input Voltage (Vp-p)	25
4	Capacitance at 120Hz (pF)	10000±30%
5	*Sound Output at 10cm (dB)	≥65
6	Operating Temperature (°C)	-40~+85
7	Storage Temperature (°C)	-40~+85
8	*Rated Current (mA)	≤3
9	Weight (g)	0.25
10	Housing Material	LCP
11	RoHS	Yes


*Applying rated voltage (Resonant frequency, Square wave)

DIMENSIONS (UNIT: mm)

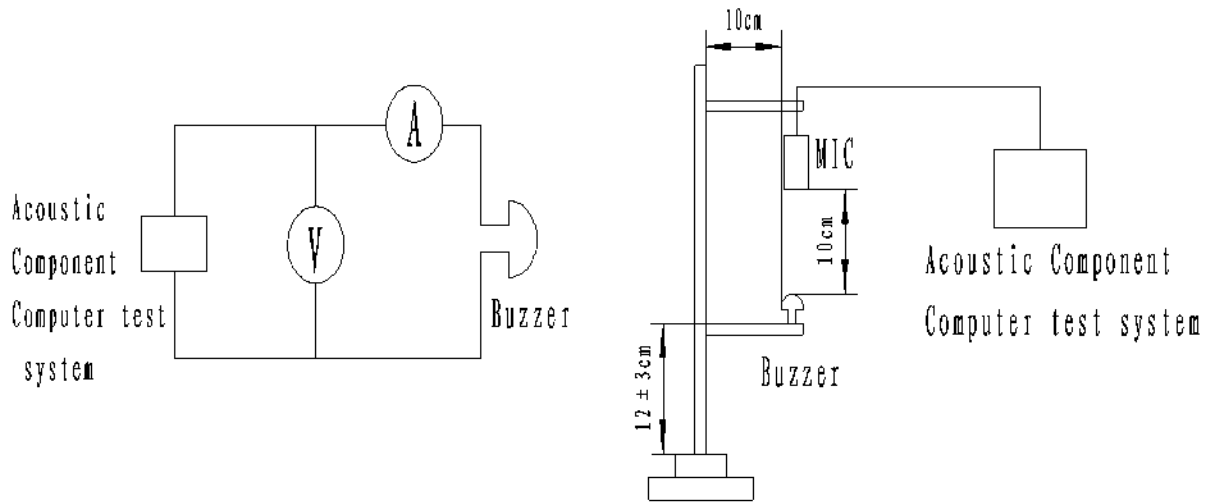
Tolerance: ±0.5mm Except Specified



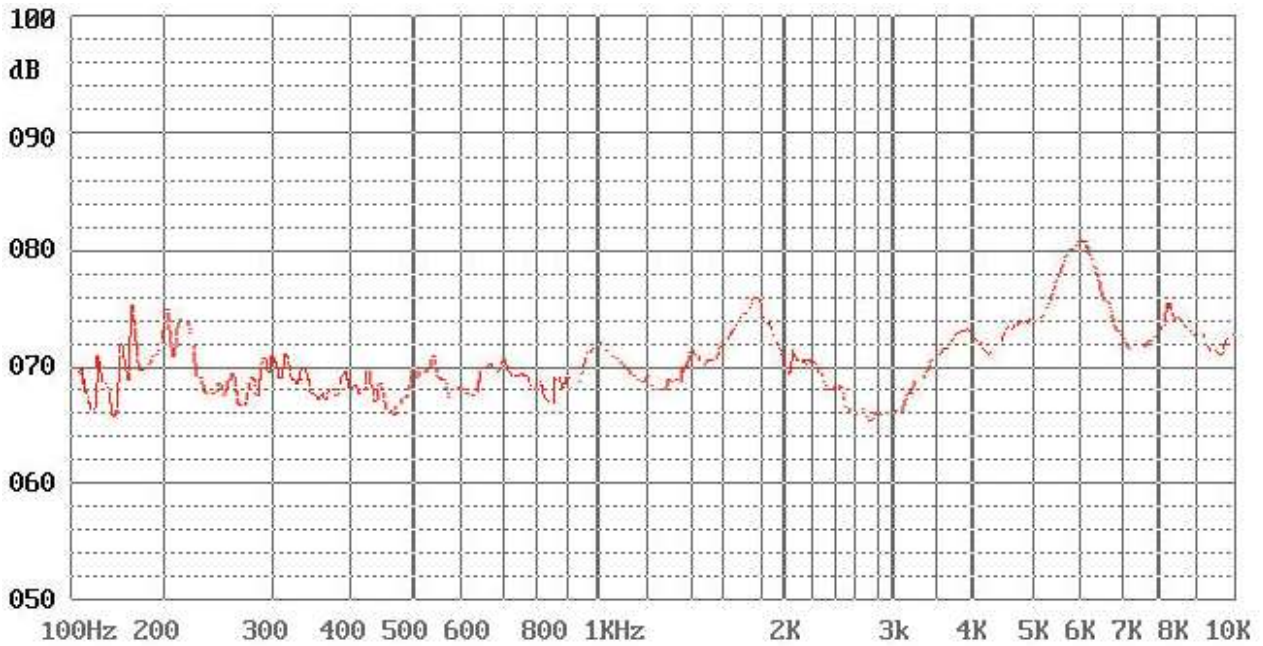
NingBo Best Group Co.,Ltd.
Tel: +86-574-87793491 Fax: +86-574-87792835
E-mail: sales@fbele.com

	DATE	23-10-15	SPECIFICATION	NingBo Best Group Co.,Ltd.
	PAGE	4/8		www.fbele.com
	MODEL NAME: SMT9018			


TEST METHOD:



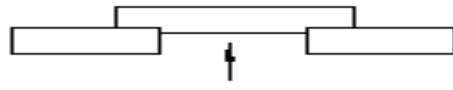
FREQUENCY RESPONSE:




NingBo Best Group Co.,Ltd.
Tel: +86-574-87793491 Fax: +86-574-87792835
E-mail:sales@fbele.com

	DATE	23-10-15	SPECIFICATION	NingBo Best Group Co.,Ltd.
	PAGE	5/8		www.fbele.com
	MODEL NAME: SMT9018			

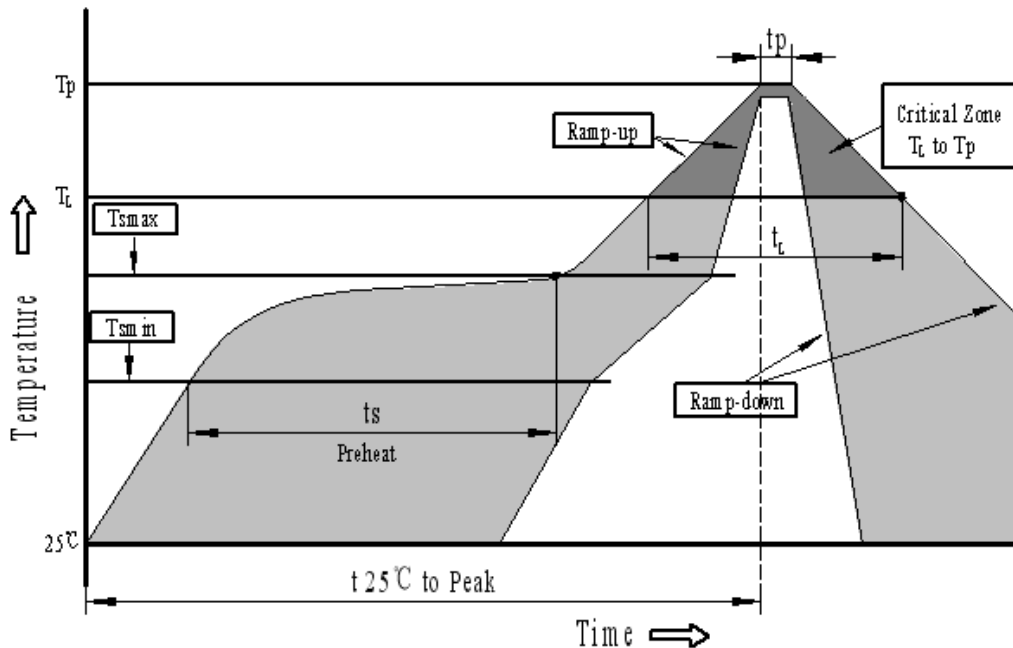
RELIABLY TEST:

NO.	ITEM	TESTING CONDITION	VARIANCE AFTER TEST
1	High temp. storage life	The part shall be capable of withstanding a storage temperature is +85°C for 120 hours	All specifications must be satisfied after the test.
2	Low temp. storage life	The part shall be capable of withstanding a storage temperature is -40°C for 120 hours	
3	Temp. Cycle	Total 5 cycles, 1 cycle consisting of -40±2°C, 30 minutes 20±5°C 15 minutes 85±2°C, 30 minutes 20±5°C 15 minutes	
4	Humidity Test	40±2°C, 90~95% RH, 120 hours	
5	Vibration Test	To-and-fro. sweep time (from 10 to 55 Hz and then 55 to 10) under single amplitude of 1.0mm is 1 minute. The vibration test shall consist of 2 hours per plane in each three mutually perpendicular planes for a total time of 6 hours.	
6	Shock	Sounder shall be measured after being applied shock (980m/s ²) for each three mutually perpendicular directions to each of 3 times by half sine wave.	
7	Drop Test	Dropped naturally from 700mm height onto the surface of 10mm thick wooden board. 2 directions-upper and side of the part are to be applied.	
8	Lead pull	The part shall be pushed with a force of 9.8N for 10±1 seconds behind the part. 	After the test part shall meet specifications without any degradation in appearance and performance.
9	Recommended temp. Profile for Reflow Oven	Shown in Fig.1	

Warranty:For a period of one year from date of manufacturer under normal operations.


	DATE	23-10-15	SPECIFICATION	NingBo Best Group Co.,Ltd.
	PAGE	6/8		www.fbele.com
	<i>MODEL NAME: SMT9018</i>			

Recommended Temp. Profile for Reflow Oven (Fig.1)

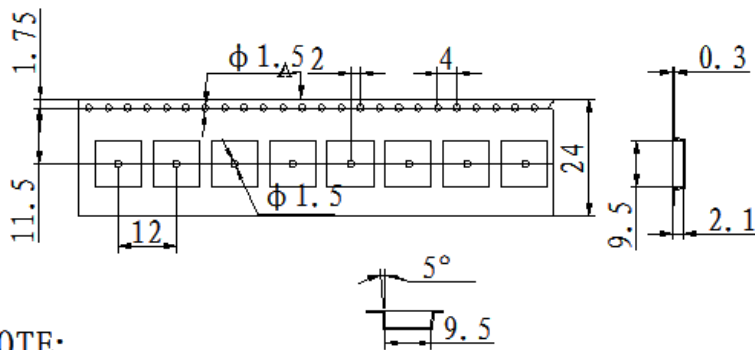


Profile Feature	Pb-Free Assembly
Average ramp-up rate(T_L to T_p)	3°C/second max.
Preheat	
-Temperature Min.(T_{Smin})	150°C
-Temperature Min.(T_{Smax})	200°C
-Temperature Min.(t_s)	60~180 seconds
T_{Smax} to T_L	
-Ramp-up Rate	3°C/second max.
Time maintained above:	
- Temperature(T_L)	217°C
-Time(T_L)	60~150 seconds
Peak temperature(T_p)	245°C+0/-5
Time within 5°C of actual Peak temperature (t_p)	6 seconds max.
Ramp-down Rate	6°C/second max.
Time 25°C to Peak Temperature	8 minutes max.

NingBo Best Group Co.,Ltd.
Tel: +86-574-87793491 Fax: +86-574-87792835
E-mail:sales@fbele.com

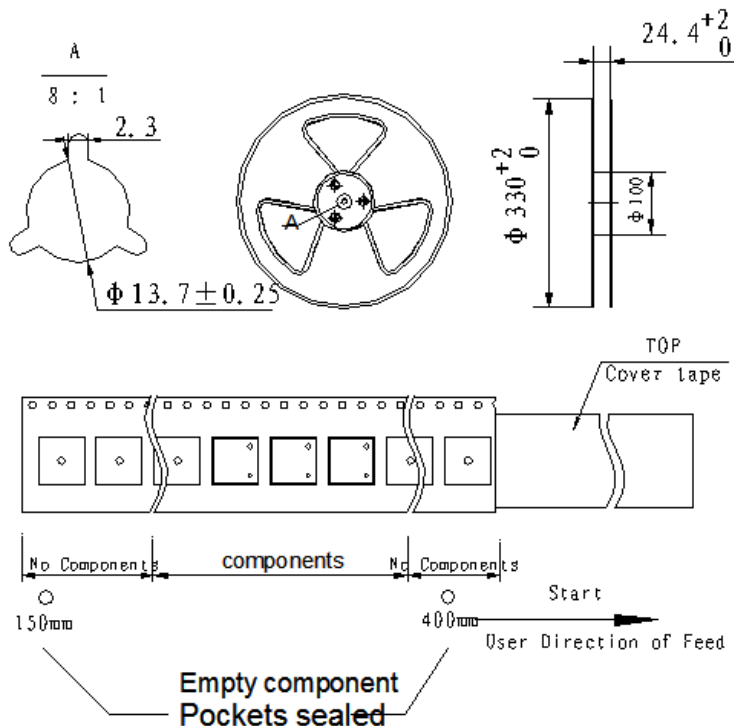
	DATE	23-10-15	SPECIFICATION	NingBo Best Group Co.,Ltd.
	PAGE	7/8		www.fbele.com
	MODEL NAME: SMT9018			


PACKING:



NOTE:

1. 10 sprocket hole pitch cumulative tolerance +/-0.20mm. .
2. All dimensions meet EIA-481-D requirements.
3. Thickness: 0.3+/-0.1mm.
4. Component loaded per 13" reel: 2000pcs.



	DATE	23-10-15	SPECIFICATION	NingBo Best Group Co.,Ltd.
	PAGE	8/8		www.fbele.com
	<i>MODEL NAME: SMT9018</i>			

PACKING:

