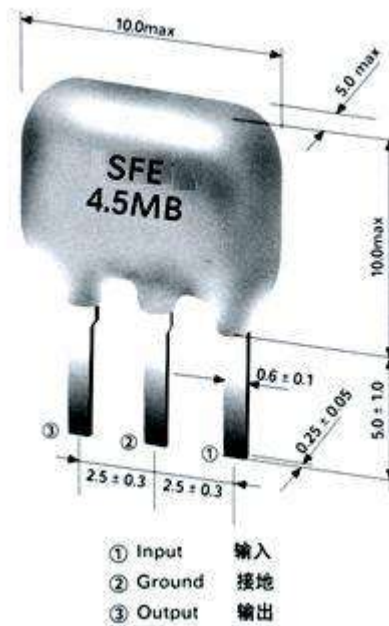


➡ SFE/SFSL Series Of Ceramic Filter for TV(TV SIF Stage Use)

[Feedback](#)

**SFE/SFS Series of Ceramic Filter for TV(TV SIF Stage Use)**

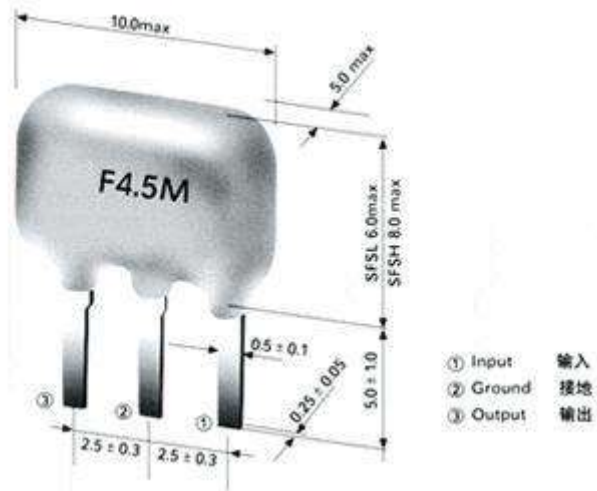
**Configuration:**



**Principal Parameters:**

Part Number	3dB Band Width (KHz)min	20dB Band Width (KHz)max	Insertion Loss (dB)max	Spurious Response (dB)min	Input /Output Impedance (Ω)
SFE4.5MB	±60	530	6	20 (4.5-1.0MHz)	1000
SFE5.5MB	±75	550	6	25 (5.5-1.0MHz)	600
SFE6.0MB	±80	600	6	25 (6.0-1.0MHz)	470
SFE6.5MB	±80	630	6	25 (6.5-1.0MHz)	470

## Configuration:



## Principal Parametersp:

Part Number	Center Frequency (MHz)	3dB Band Width (KHz)min	20dB Band Width (KHz)max	Insertion Loss (dB)max	Spurious Response (dB)min	Input /Output Impedance ( $\Omega$ )
SFSL4.5MC B	4.500	$f_n \pm 60$	600	6	30 (0-fn)	1000
SFSL4.5MD B	4.500	$f_n \pm 70$	750	6	30 (0-fn)	1000
SFSL5.5MC B	5.500	$f_n \pm 60$	600	6	30 (0-fn)	600
SFSL5.5MD B	5.500	$f_n \pm 80$	750	6	30 (0-fn)	600
SFSL6.0MC B	6.000	$f_n \pm 60$	600	6	30 (0-fn)	470
SFSL6.0MD B	6.000	$f_n \pm 80$	750	6	30 (0-fn)	470
SFSL6.5MC B	6.500	$f_n \pm 70$	650	6	30 (0-fn)	470
SFSL6.5MD B	6.500	$f_n \pm 80$	800	6	30 (0-fn)	470
SFSH6.25MC B	6.250	$f_n \pm 300$	1300	6	30 (0-fn)	470