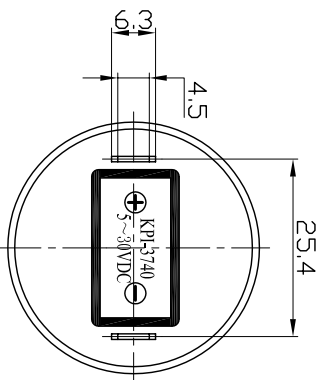
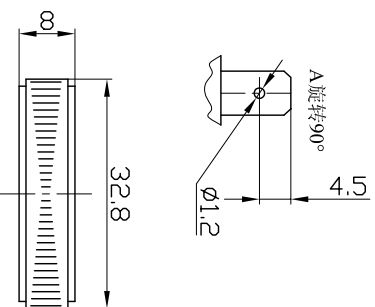
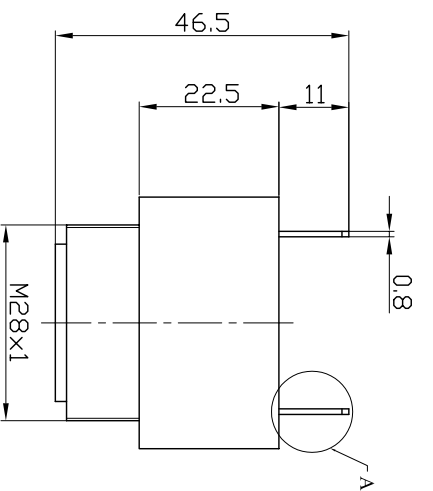


KPI-3010 Washing Label



## SPECIFICATION

- 1. Rated Voltage .....12VDC
- 2. Operating Voltage .....5~30VDC
- 3. Max. Rated Current .....20 mA at 12VDC
- 4. Min. Sound Pressure Level .....85dB at 12VDC/30cm
- 5. Tone Nature .....Siren
- 6. Resonant Frequency .....2.9±0.5KHz
- 7. Case Material .....ABS
- 8. Operating Temperature .....-20~+70°C
- 9. Store Temperature .....-30~+80°C
- 10. Weight .....27g

No.		DESCRIPTION		APPROVED	DATE	<b>KEPO</b> NINGBO KEPO ELECTRONIC CO.,LTD <a href="http://www.chinaacoustic.com">http://www.chinaacoustic.com</a>
<small>FOR THE OVERSEAS MARKET</small> <small>XX +</small> <small>90° ANGLES ±2°</small>		APPROVALS		DATE	UNIT SCALE NOT TO SCALE mm	
DRAWN		CHECKED		APPROVED	08.08.05	DWG NO. OEM2937
FIRST ANGLE PROJECTION						SHEET VER. 1.1

Piezo Transducer Quartz-1