

KEPO

ISO9001 Certificate

SPECIFICATION FOR APPROVAL

CUSTOMER : _____

CUSTOMER MODEL : _____

DESCRIPTION: Dynamic receiver

KEPO MODEL : KPDR-13

DOCUMENT NO. : KP3.841.207.01

DATE : 03/14/2005

CUSTOMER'S APPROVED SIGNATURE		

Ningbo Kepo Electronics Co.,Ltd.

<http://www.chinaacoustic.com>

Approved by	Check by	Issued by

宁波凯普电子有限公司

1

2

3

4

A

1.Scope:

This specification cover dynamic type KPDR-13 receiver unit for telephone use:

2.Outline dimension shall be as shown in Fig.1.

3.Electrical specification:

3-1Efficiency:96± 2dB SPL(0dB=2x10⁻⁵Pa)
(at 1000Hz 60mV sine wave)

measurement shall be as shown in Fig.2

3-2 Impedance:32 Ω ± 20%

at 1KHz 60mV sine wave ,V_R=V_L=60mV, "Z_X"=R ,Fig.2

3-3 Frequency response:

The 1000Hz sensitivity requirements must be met and the frequency response shall lie between the movable envelope limits shown in Fig.3.

4.Weight : approx 1 grams

5.Load test :shall be normal after test

input power:30mW white noise 24 hours

6.Humidity test : sensitivity difference shall be within 4dB after

test Temperature: 40°C

Relative humidity:90 % 96 hours

7.Temperature test :After following test ,the response at 1KHz shall

not deviate more than ± 2dB from the initial value

7-1 High temperature:+65± 3°C duration 96 hours

duration of recovery 6 hours

7-2 Low temperature:-25± 3°C duration 96 hours


duration of recovery 6 hours

7-3Temperature cycling test:

B

C

D

				KEPO NINGBO KEPO ELECTRONIC CO.,LTD http://www.chinaacoustic.com	
				KPDR-13 Specification	
No.	DESCRIPTION	APPROVED	DATE		
<small>TOLERANCES UNLESS NOTED OTHERWISE</small> .X ± .XX ± .XXX ± 90° FORMED +2° ANGLES -1° <small>FIRST ANGLE PROJECTION</small> 		APPROVALS		DATE	
		DRAWN			
		CHECKED			
		APPROVED		05.03.14	UNIT mm DWG NO. KP3.841.207.01
				SCALE NOT TO SCALE	SHEET P1 VER 1.0

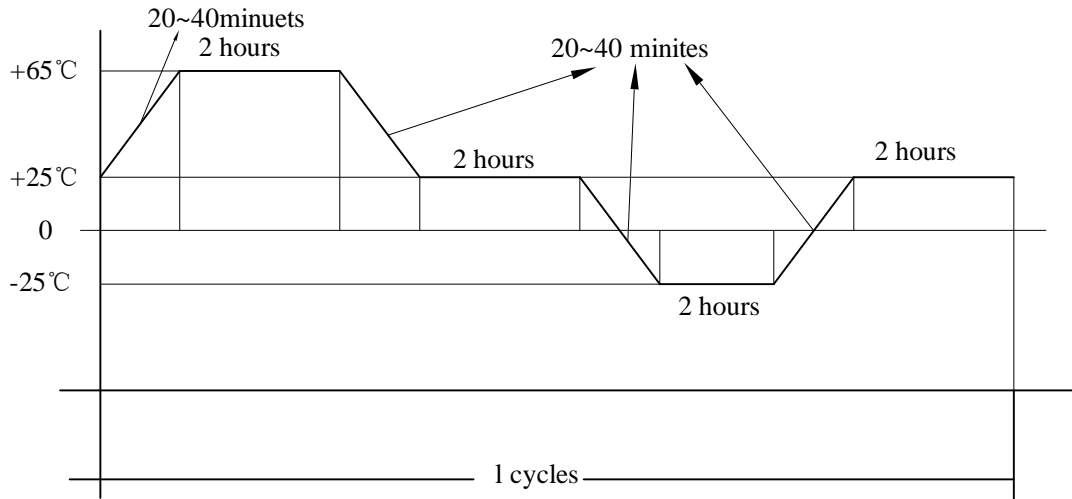
1

2

3

4

a: Temperature cycling diagram



b: Number of cycle 2 cycle
 c: Duration of recover 2 hours

8. Mechanical shock:

The receiver unit when properly mounted in handset or provide equivalent shall be capable withstanding six random drops from a height of 1.5 meters onto the wooden hard board of thickness 5mm with no significant mechanical degradation nor change in the 1KHz response level.

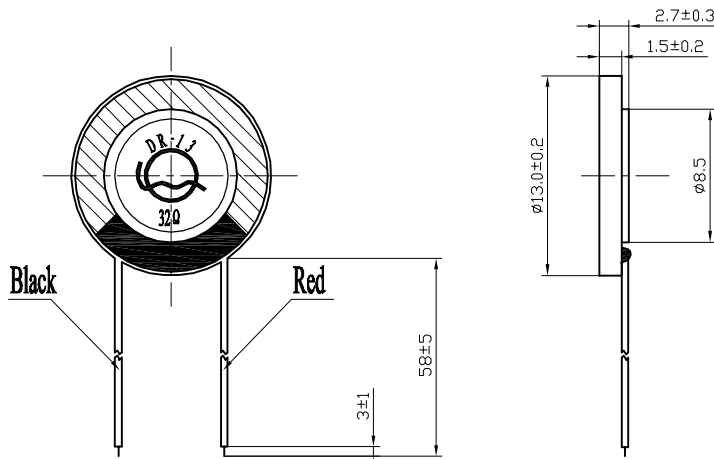


Fig. 1

				KEPO NINGBO KEPO ELECTRONIC CO.,LTD http://www.chinaacoustic.com	
				KPDR-13 Specification	
No.	DESCRIPTION	APPROVED	DATE	UNIT	DWG NO.
TOLERANCES UNLESS NOTED OTHERWISE .X ± .XX ± .XXX ± 90° FORMED +2° ANGLES -1°		APPROVALS		mm	KP3.841.207.01
		DRAWN	DATE		
FIRST ANGLE PROJECTION 		CHECKED		SCALE	SHEET
		APPROVED	05.03.14	NOT TO SCALE	P2

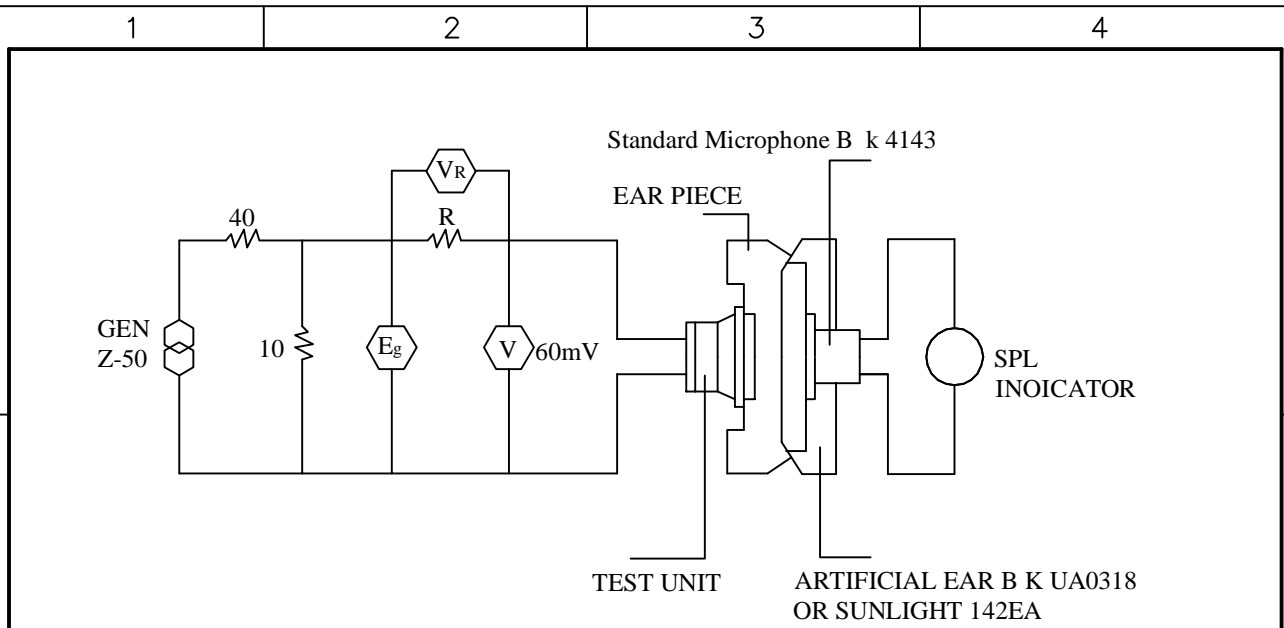


Fig.2

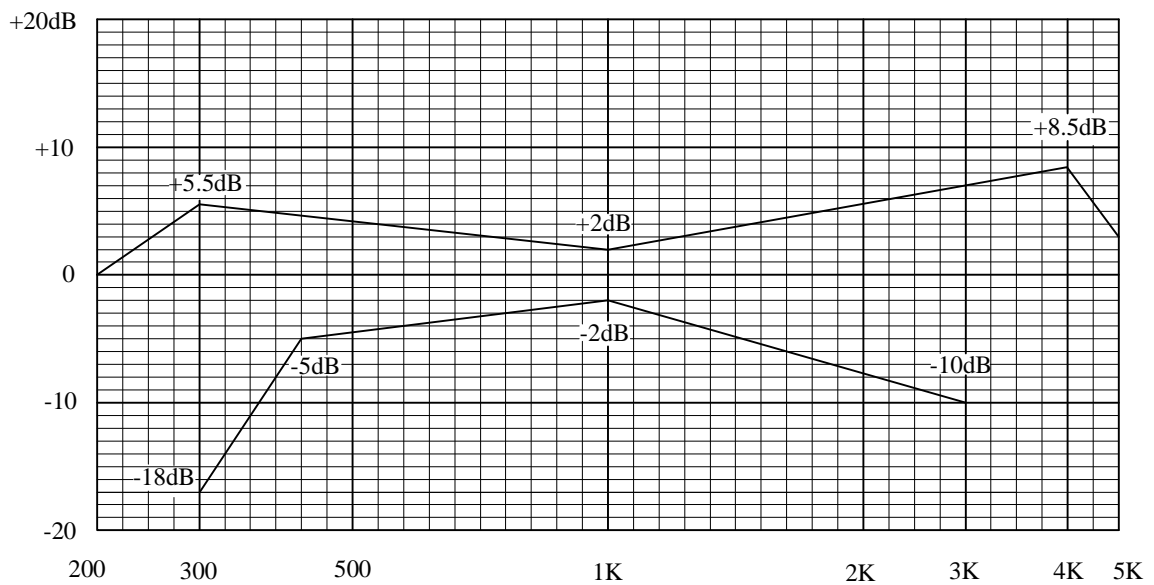


Fig.3

				KEPO NINGBO KEPO ELECTRONIC CO.,LTD http://www.chinaacoustic.com	
				KPDR-13 Specification	
No.	DESCRIPTION	APPROVED	DATE	UNIT	DWG NO.
<small>TOLERANCES UNLESS NOTED OTHERWISE</small> .X ± .XX ± .XXX ± 90° FORMED +2° ANGLES -1° FIRST ANGLE PROJECTION 		APPROVALS		mm	KP3.841.207.01
		DRAWN	DATE		
		CHECKED		SCALE	SHEET
		APPROVED	05.03.14	NOT TO SCALE	P3
					VER 1.0
1	2	3	4		