

Ultrasonic Transducer Specification

超 声 波 换 能 片

1.品名(Name): 压电陶瓷圆片(Piezo electric Disc)

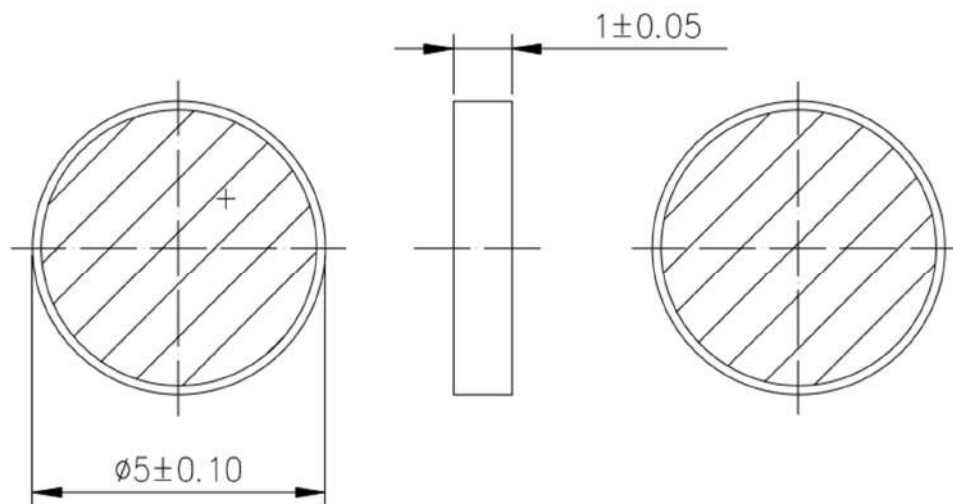
2.产品型号 (PN): JYY-φ5×1.0-P4

3.材料 (Ceramic Material): PZT-41

4.性能参数(Electrical specification):

项目 Item	单位 Unit	标 准 Standard	测试条件(Test condition): T=22°C 极化后 10 天测试
径向谐振频率 (Fs) Radial resonant frequency (Fs)	KHz	458±15	压电阻抗分析仪 impedance analyzers
厚向谐振频率 (Ft) Thickness resonant frequency (Ft)	Mhz	2.0±0.2	压电阻抗分析仪 impedance analyzers
静电容量 (C0) Static capacitance (C0)	pF	190±15%	数字电桥 At 1000Hz/1V Digital Electric Bridge At 1000Hz/1V
介质损耗 (tgδ) dielectrin loss (tgδ)	%	≤0.3	数字电桥 At 1000Hz/1V Digital Electric Bridge At 1000Hz/1V
机电耦合系数(Kp) Electrical-mechanical coupling coefficient(Kp)		≥0.52	压电阻抗分析仪 impedance analyzers

5.外观尺寸(Appearance and dimensions):



Remark: This specification is subject to change without prior notice.

6.包装:

Qty/Carton	Carton Size(cm)	G.W. (Kg)	N.W. (Kg)
21600pcs	28*22*30cm	3.88	2.68