

QUARTZ RESONATORS

SMD TYPE

HSX631S Series

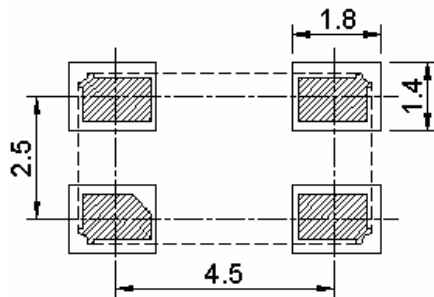


● FEATURES :

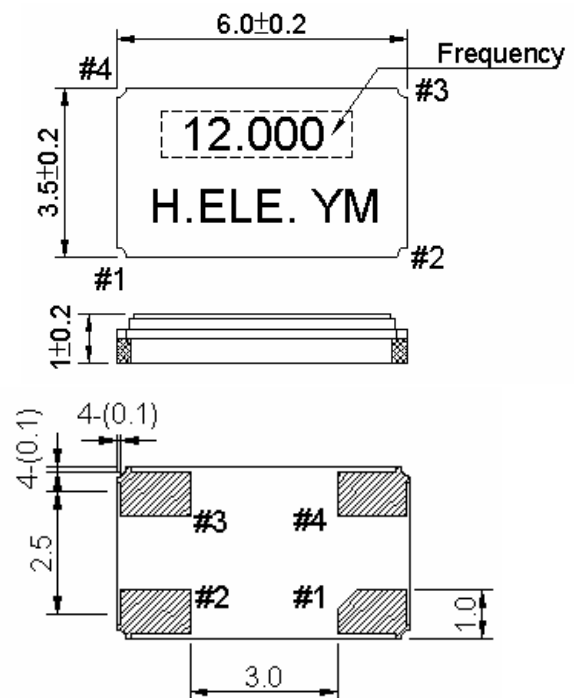
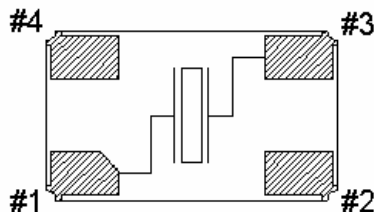
- Suitable is for various applications, cellular telephones, PHS, etc.
- High precision and reliability.

DIMENSION [mm]

RECOMMENDED LAND PATTERN [mm]



< TOP VIEW > INTERNAL CONNECTIONS



ITEM \ TYPE	HSX631S			
Frequency Range	8 ~ 10 MHz	10 ~ 12 MHz	12 ~ 50 MHz	40 ~ 80 MHz
Mode	Fundamental			3 rd Overtone
Load Capacitance	Series, 8pF, 10pF, 12pF, 16pF			Series
Drive Level	10uW (100uW Max.)	10uW (300uW Max.)		10uW (500uW Max.)
Frequency Tolerance	±10ppm , ±20ppm , ±30ppm (at. 25°C)			
Equivalent Series Resistance	150Ω Max.	80Ω Max.	50Ω Max.	70Ω Max.
Frequency Stability (Temp.)	±10ppm / -10 ~ +60 °C (Ref. to 25°C)			
	±15ppm / -20 ~ +70 °C (Ref. to 25°C)			
	±20ppm / -30 ~ +85 °C (Ref. to 25°C)			
Operating Temp. Range	-10 ~ +60°C			
Storage Temp. Range	-40 ~ +85°C			

*Packing Unit : 1,000pcs/Reel.

