

声表面波滤波器/谐振器

SAW Filter

SAW Resonator

目录

| | |
|--------------|---|
| 声表面波滤波器----- | 1 |
| 声表面波谐振器----- | 6 |
| 封装外型尺寸----- | 8 |

<http://www.siwat.cn>

深圳市星威特电子有限公司

SIWAT
星威特

电话: +86-755-83640421
传真: +86-755-83618105
电子邮箱: sales@siwat.cn
网站: www.siwat.cn

声表面波滤波器 SAW FILTER

电视中频用声表面波滤波器 IF Filter for Intercarrier Applications

| 图象频率 Picture Carrier (MHz) | 型号 Part No. | 图-声 间距 PC-SC Distance (MHz) | 伴音载频 Sound Carrier (dB) | 色度载频 Color Carrier (dB) | 制式 Standard | 封装 Package |
|----------------------------------|----------------|-----------------------------------|-------------------------------|-------------------------------|----------------|---------------|
| 38.00 | IF38A1D | 4.5 | 20 | 1.1 | M/N | SIP5D |
| | IF38B1M | 5.5-6.5 | 17, 19 | 1.0 | D/K, B/G | SIP5K |
| | IF38B2M | 5.5-6.5 | 16, 16 | 1.1 | D/K, B/G | SIP5K |
| | IF38B3M | 5.5-6.5 | 15, 16 | 1.2 | D/K, B/G | SIP5K |
| 38.90 | IF389A1M | 5.5 | 19 | 2.7 | B/G | SIP5K |
| | IF389A1D | 5.5 | 19 | 2.7 | B/G | SIP5D |
| | IF389A2M | 5.5 | 20 | 3.9 | B/G | SIP5K |
| | IF389A3M | 5.5 | 20 | 1.0 | B/G | SIP5K |
| | IF389A4M | 5.5 | 20 | 2.3 | B/G | SIP5K |
| | IF389A5M | 4.5 | 21 | 1.1 | M/N | SIP5K |
| | IF389B1M | 5.5-6.5 | 21, 20 | 3.8 | B/G, D/K | SIP5K |
| | IF389B1D | 5.5-6.5 | 21, 20 | 3.8 | B/G, D/K | SIP5D |
| | IF389B2M | 5.5-6.5 | 19, 19 | 0.7 | B/G, D/K | SIP5K |
| | IF389B3M | 5.5-6.5 | 19, 20 | 3.1 | B/G, D/K | SIP5K |
| | IF389B4M | 5.5-6.5 | 15, 15 | 1.5 | B/G, D/K | SIP5K |
| | IF389B5M | 5.5-5.85 | 14, 14 | 1.1 | B/G, NICAM | SIP5K |
| | MIF389A1T | 5.5-6.5 | 18, 17 | 0.3 | B/G, D/K | DIP10K |
| | MIF389A1T | 4.5 | 18 | 1.9 | M/N | DIP10K |
| IF1044PS | 5.5 | 21 | 3.0 | B/G | SIP5K | |
| 45.75 | IF45A1D | 4.5 | 19 | 1.0 | M/N | SIP5D |
| | IF45A1M | 4.5 | 19 | 1.0 | M/N | SIP5K |
| | IF45A2M | 4.5 | 20 | 5.2 | M/N | SIP5K |
| | IF45A2D | 4.5 | 13 | 0.3 | M/N | SIP5D |
| | IF45A3M | 4.5 | 19 | 1.3 | M/N | SIP5K |
| | IF45A4M | 4.5 | 17 | 4.5 | M/N | SIP5K |
| | IF45A5M | 4.5 | 17 | 1.1 | M/N | SIP5K |
| | IF45A6M | 4.5 | 16 | 5.1 | M/N | W2 |
| SF5241P | 4.5 | 17 | 1.9 | M/N | F12 | |
| 58.75 | IF58A1M | 4.5 | 18 | 3.4 | M | SIP5K |

声表面波滤波器 SAW FILTER

电视伴音声表面波滤波器 IF Filter for Audio Applications

| 伴音载频 Sound Carrier (MHz) | 型号 Part No. | 图-声 间距 PC-SC Distance (MHz) | 图象载频 Picture Carrier (dB) | 制式 Standard | 封装 Package |
|--------------------------------|----------------|-----------------------------------|---------------------------------|------------------|---------------|
| 31.50-32.50 | AF38A1M | 5.5-6.5 | -48 | D/K, I, B/G | SIP5K |
| 31.50-33.50 | AF38A2M | 4.5-6.5 | -48 | D/K, I, B/G, M/N | SIP5K |
| 32.40-32.90 | AF389A1D | 5.5-6.5 | -47 | D/K, L, I, B/G | SIP5D |
| | AF389A1M | 5.5-6.5 | -46 | D/K, L, I, B/G | SIP5K |
| | AF389A2M | 5.5-6.5 | -47 | D/K, L, I, B/G | SIP5K |
| | AF389A5M | 5.5-6.5 | -46 | D/K, L, I, B/G | SIP5D |
| | AF389A6M | 5.5-6.5 | 0 | D/K, I, B/G | SIP5K |
| 32.40-34.40 | AF389A3M | 4.5-6.5 | 0 | D/K, L, I, B/G | SIP5K |
| 33.40 | AF389A4M | 5.5-5.85 | -52 | B/G, NICAM | SIP5K |
| 33.50 | AF38A1M | 4.5 | -47 | M/N | SIP5K |
| 40.40 | AF389A1D | -6.5 | -50 | L | SIP5D |
| | AF389A1M | -6.5 | -50 | L | SIP5K |
| | AF389A2M | -6.5 | -47 | L | SIP5K |
| 41.25 | AF45A1M | 4.5 | 0 | M/N | SIP5K |
| 54.25 | AF58A1D | 4.5 | -50 | M | SIP5D |

电视视频声表面波滤波器 IF Filter for Video Applications

| 图象载频 Picture Carrier (MHz) | 品名 Part No. | 图-声 间距 PC-SC Distance (MHz) | 伴音载频 Sound Carrier (dB) | 色度载频 Color Carrier (dB) | 制式 Standard | 封装 Package |
|----------------------------------|----------------|-----------------------------------|-------------------------------|-------------------------------|----------------|---------------|
| 38.00 | MVF38A1T | 5.5-6.5 | 45,47 | 2.5 | B/G, D/K | DIP10K |
| | MVF38A1T | 4.5 | 28 | 3.0 | M/N | DIP10K |
| 38.90 | VF389A1D | 5.5-6.5 | 24,50 | 1.0 | B/G, D/K, L, I | SIP5D |
| | VF389A1M | 5.5-6.5 | 24, 50 | 1.0 | B/G, D/K, L, I | SIP5K |
| | VF389A2M | 5.5 | 52 | 3.0 | B/G | SIP5K |
| | MVF389A1T | 5.5 | 44 | 1.3 | B/G | DIP10K |
| | MVF389A1T | 6.0-6.5 | 50, 56 | 0.8 | D/K, L, I | DIP10K |
| | MVF389A2M | 5.5-6.5 | 41, 56 | 0.5 | B/G, D/K, L | SIP5K |
| | MVF389A2M | 4.5 | 37 | 2.6 | M/N | SIP5K |
| | MVF389A2D | 5.5-6.5 | 41, 56 | 0.5 | B/G, D/K, L | SIP5D |
| 45.75 | VF45A1M | 4.5 | 32 | 2.2 | M/N | SIP5K |
| | VF45A2M | 4.5 | 25 | 0.1 | M/N | SIP5K |

声表面波滤波器 SAW FILTER

数字电视机、机顶盒用声表面波滤波器

IF Filter Intercarrier/Multistandard Application

| 中心频率 Center Frequency (MHz) | 型号 Part No. | 3dB 带宽 3dB Bandwidth (KHz) | 制式 Standard | 封装 Package |
|-----------------------------------|----------------|----------------------------------|---------------------|---------------|
| 23.40 | BF23A1D | 1.8 | DAB | SIP5D |
| 36.00 | BF36A2D | 8.1 | Dig. terrestrial TV | SIP5D |
| | BF36A4M | 8.0 | Dig. CATV | SIP5K |
| 36.125 | BF36A1D | 8.0 | Dig. CATV | SIP5D |
| | BF36A1M | 8.0 | Dig. CATV | SIP5K |
| | BF36A2M | 7.0 | Dig. CATV | SIP5K |
| | BF36A3M | 6.0 | Dig. CATV | SIP5K |
| 37.00 | BF37A1M | 6.0 | Dig. CATV | SIP5K |
| 37.70 | BF37A2M | 1.4 | DAB | F18 |
| 38.912 | BF389A1M | 1.5 | DAB | SIP5K |
| 41.25 | BF41A1M | 0.9 | DCR | SIP5K |
| 42.00 | BF42A1M | 6.0 | Dig. CATV | SIP5K |
| 43.00 | BF43A4M | 6.0 | Dig. CATV | SIP5K |
| 43.75 | BF43A1D | 6.2 | Dig. CATV | SIP5D |
| | BF43A1M | 6.0 | Dig. CATV | SIP5K |
| | BF43A2D | 6.0 | Dig. CATV | SIP5D |
| | BF43A2M | 7.0 | Dig. CATV | SIP5K |
| | BF43A3M | 8.0 | Dig. CATV | SIP5K |
| 44.00 | BF44A1D | 6.0 | Dig. CATV | SIP5D |
| | BF44A1M | 6.0 | Dig. CATV | SIP5K |
| | BF44A2D | 6.2 | Dig. CATV | SIP5D |
| | BF44A3M | 1.8, 1.1 | DVB-DAVIC | SIP5K |
| | BF44A4M | 7.0 | Dig. CATV | SIP5K |
| | BF44A5M | 1.7 | Interactive TV | SIP5K |
| | BF44A6M | 8.0 | Dig. CATV | SIP5K |
| 46.59 | BF46A1M | 6.0 | Dig. CATV | SIP5K |
| 49.125 | BF49A1M | 0.72 | DAB | SIP5K |
| 54.00 | BF54A1M | 6.0 | Dig. CATV | SIP5K |
| 70.00 | BF70A1M | 1.0 | Dig. CATV | SIP5K |
| | BF70A2M | 10.4 | Dig. SAT-TV | SIP5K |

声表面波滤波器 SAW FILTER

残留边带滤波器 Vestigial Sideband Filter

| 图象载频 Picture Carrier (MHz) | 型号 Part No. | 边带 Vestigial Sideband (MHz) | 3dB 带宽 3dB Bandwidth (MHz) | 制式 Standard | 封装 Package |
|----------------------------------|----------------|-----------------------------------|----------------------------------|----------------|---------------|
| 45.75 | VSF45A1M | 0.75 | 6.0 | M/N | SIP5K |
| | VSF45A2M | 0.75 | 7.5 | D/K | SIP5K |
| | VSF45A3M | 0.75 | 6.0 | M/N | SIP5K |

双伴音或分离伴音滤波器 IF Filters for Quasi/Split Sound Applications

| 图象载频 Picture Carrier (MHz) | 品名 Part No. | 图-声 间距 PC-SC Distance (MHz) | 伴音载频 Sound Carrier (dB) | 色度载频 Color Carrier (dB) | 制式 Standard | 封装 Package |
|----------------------------------|----------------|-----------------------------------|-------------------------------|-------------------------------|----------------|---------------|
| 38.90 | QSF389A1M | 5.5-6.5 | 45, 32 | 1.6 | B/G, D/K | SIP5K |
| 45.75 | QSF45A1T | 4.5 | 29 | 0.3 | M/N | DIP10K |

直播卫星系统用带通滤波器 Band pass Filter for DBS system

| 中心频率 Center Frequency (MHz) | 品名 Part No. | 插入损耗 Insertion Loss (dB) | 带宽 Pass band width (MHz) | | 寄生响应 Spurious Response(dB) | | 封装 Package |
|-----------------------------------|----------------|--------------------------------|-----------------------------|-----------------|-------------------------------|-------|---------------|
| | | | Δf -1dB | Δf -3dB | Lower | Upper | |
| 480 | SF480-1 | 17.6 | - | 17.6 | 38 | 38 | TO39A |
| | SF480A1 | 14.5 | - | 17.6 | 38 | 38 | TO39A |
| | SF480-2 | 21.0 | 23.0 | 27.0 | 36 | 34 | TO39B |
| | | 20.4 | 13.0 | 18.0 | 36 | 34 | TO39A |
| | SF480-3 | 20.0 | - | 26.6 | 40 | 38 | |

遥控报警用声表面波滤波器 SAW Filter for Remote Control

| 中心频率 Center Frequency (MHz) | 品名 Part No. | 公差 Tolerance from Nominal (KHz) | 3dB 带宽 3dB Bandwidth (KHz) | 插入损耗 Insertion Loss (dB) | 封装 Package |
|-----------------------------------|----------------|---------------------------------------|----------------------------------|--------------------------------|---------------|
| 311.0625 | SF311M | ± 85 | 700 | 3.5 ± 1.5 | TO-39, F11 |
| 315.00 | SF315M | ± 85 | 700 | 3.5 ± 1.5 | TO-39, F11 |
| 418.00 | SF418M | ± 85 | 700 | 3.5 ± 1.5 | TO-39, F11 |
| 420.30 | SF420M | ± 85 | 700 | 1.7 ± 1.3 | TO-39, F11 |
| 433.920 | SF433M | ± 85 | 700 | 1.7 ± 1.3 | TO-39, F11 |

声表面波滤波器 SAW FILTER

通讯用声表面波滤波器 SAW Filter for Telecommunication

| 型号 Part No. | 中心频率 Center Frequency (MHz) | 通带宽度 Pass band Width (MHz) | 插入损耗 Insertion Loss (dB) | 阻带衰耗 Stop-band Attenuation (dB) | | 输入/输出阻抗 Input/Output Impedance (Ω) | | 封装 Package |
|----------------|--------------------------------------|-------------------------------------|-----------------------------------|------------------------------------|-----------------------------------|--|--------|---------------|
| | | | | Fo-100 ~ Fo-40.8 | Fo+40.8 ~ Fo+100 | A Type | B Type | |
| SF_A SF_B | <1000 | Fo \pm 2.0 | 4.5dB max. | 55dB min. | 55dB min. | 55 | 150 | F11 |
| SF_C SF_D | <1000 | Fo \pm 5.0 | 4.0dB max. | Fo-100 ~ Fo-40.8 55dB min. | Fo+39.8 ~ Fo+45.8 55dB min. | 55 | 150 | F11 |

声表面波谐振器 SAW RESONATOR

单端对谐振器 One Port Resonator

| 中心频率 Center Frequency (MHz) | 型号 Part No. | 频率精度 Frequency Tolerance (MHz) | 插入损耗 Insertion Attenuation (dB) | 封装 Package |
|-----------------------------------|----------------|--------------------------------------|---------------------------------------|---------------|
| 224.500 | SR224M | ±100 | 2.5 | TO-39, F11 |
| 260.000 | SR260M | ±100 | 2.5 | TO-39, F11 |
| 297.800 | SR297M | ±100 | 2.5 | TO-39, F11 |
| 303.875 | SR303K | ±100 | 2.5 | TO-39, F11 |
| 303.825 | SR303M | ±100 | 2.5 | TO-39, F11 |
| 304.300 | SR304M | ±100 | 2.5 | TO-39, F11 |
| 308.500 | SR308M | ±100 | 2.5 | TO-39, F11 |
| 310.000 | SR310M | ±100 | 2.5 | TO-39, F11 |
| 311.063 | SR311M | ±100 | 2.5 | TO-39, F11 |
| 314.500 | SR314M | ±100 | 2.5 | TO-39, F11 |
| 315.000 | SR315M | ±100 | 2.5 | TO-39, F11 |
| 318.000 | SR318M | ±100 | 2.5 | TO-39, F11 |
| 325.000 | SR325M | ±100 | 2.5 | TO-39, F11 |
| 335.100 | SR335.1M | ±100 | 2.5 | TO-39, F11 |
| 340.000 | SR340M | ±100 | 2.5 | TO-39, F11 |
| 345.000 | SR345M | ±100 | 2.5 | TO-39, F11 |
| 360.000 | SR360M | ±100 | 2.5 | TO-39, F11 |
| 372.500 | SR372.5M | ±100 | 2.5 | TO-39, F11 |
| 395.00 | SR395M | ±75 | 2.5 | TO-39, F11 |
| 403.050 | SR403M | ±75 | 2.5 | TO-39, F11 |
| 418.000 | SR418M | ±75 | 2.5 | TO-39, F11 |
| 423.220 | SR423M | ±75 | 2.5 | TO-39, F11 |
| 426.062 | SR426M | ±75 | 2.5 | TO-39, F11 |
| 433.420 | SR433.42M | ±75 | 2.5 | TO-39, F11 |
| 433.920 | SR433M | ±75 | 2.5 | TO-39, F11 |
| 447.625 | SR447M | ±100 | 2.5 | TO-39, F11 |
| 479.500 | SR479M | ±150 | 2.5 | TO-39, F11 |
| 857.650 | SR857.65M | ±250 | 2.5 | TO-39, F11 |
| 868.00 | SR868M | ±250 | 2.5 | TO-39, F11 |
| 868.350 | SR868.35M | ±250 | 2.5 | TO-39, F11 |
| 868.950 | SR868.95M | ±250 | 2.5 | TO-39, F11 |
| 915.000 | SR915M | ±250 | 2.5 | TO-39, F11 |

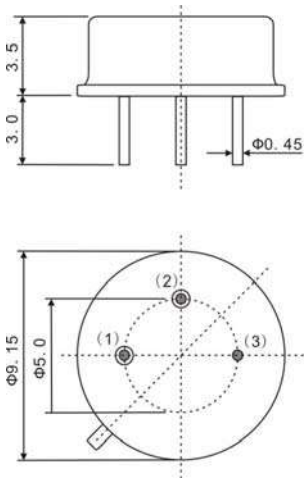
声表面波谐振器 SAW RESONATOR

双端对谐振器 Two Port Resonator

| 中心频率 Center Frequency (MHz) | 型号 Part No. | 频率精度 Frequency Tolerance (MHz) | 插入损耗 Insertion Attenuation (dB) | 封装 Package |
|-----------------------------------|----------------|--------------------------------------|---------------------------------------|---------------|
| 224.500 | SR224D | ±50 | 7.5 | TO-39, F11 |
| 303.285 | SR303D | ±100 | 7.5 | TO-39, F11 |
| 307.300 | SR307D | ±100 | 7.5 | TO-39, F11 |
| 335.100 | SR335.1D | ±100 | 7.5 | TO-39, F11 |
| 315.000 | SR315D | ±100 | 7.5 | TO-39, F11 |
| 380.000 | SR380D | ±100 | 7.5 | TO-39, F11 |
| 384.050 | SR384D | ±100 | 7.5 | TO-39, F11 |
| 391.850 | SR391D | ±100 | 7.5 | TO-39, F11 |
| 402.550 | SR402D | ±100 | 7.5 | TO-39, F11 |
| 403.550 | SR403D | ±100 | 7.5 | TO-39, F11 |
| 414.250 | SR414D | ±100 | 7.5 | TO-39, F11 |
| 418.000 | SR418D | ±75 | 7.5 | TO-39, F11 |
| 423.220 | SR423D | ±75 | 7.5 | TO-39, F11 |
| 433.920 | SR433D | ±75 | 7.5 | TO-39, F11 |
| 434.020 | SR434D | ±75 | 7.5 | TO-39, F11 |
| 437.030 | SR437D | ±75 | 7.5 | TO-39, F11 |
| 447.730 | SR447D | ±75 | 7.5 | TO-39, F11 |
| 479.500 | SR479D | ±75 | 7.5 | TO-39, F11 |
| 824.250 | SR824.25D | ±250 | 7.5 | TO-39, F11 |
| 868.500 | SR868.50D | ±250 | 7.5 | TO-39, F11 |

声表产品封装外型尺寸 SAW Components Package Dimensions

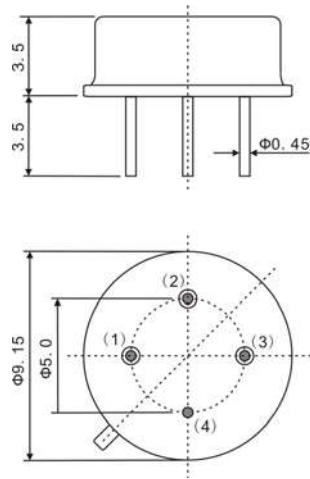
TO39A



- (1) : Input/Output
- (2) : Output/Input
- (3) : Case Ground

(In mm)

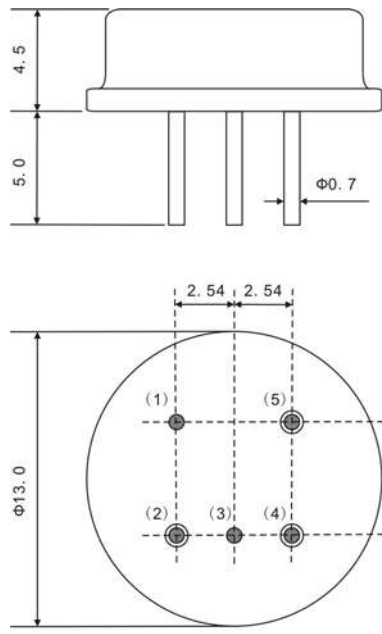
TO39B



- (1) : TX
- (2) : ANT
- (3) : RX
- (4) : Case Ground

(In mm)

W2



- (2) : Input
- (1) (3) : Ground
- (4) (5) : Output

(In mm)