

SPECIFICATION

1. SCOPE

This specification is applied to the piezo-element.

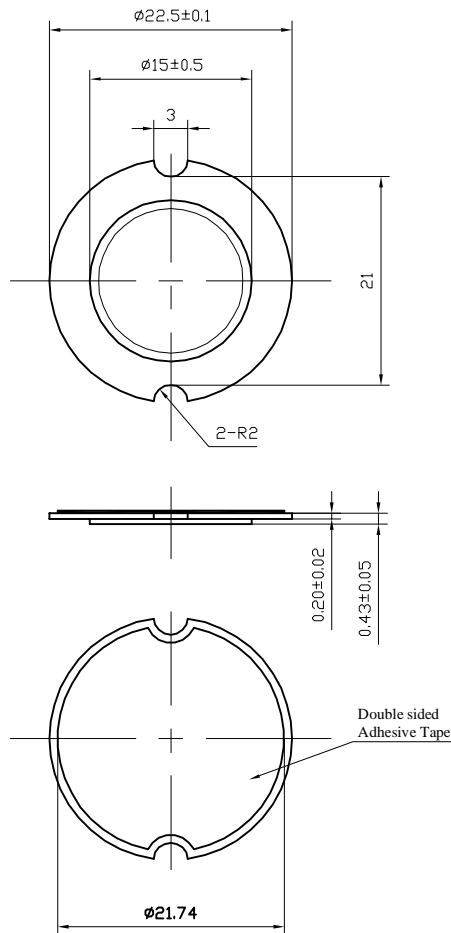
2. SPECIFICATION

(at 25°C)

- 2.1 Resonant Frequency : 4.8 ± 0.5 KHz
- 2.2 Resonant Resistace : 500 Ω max
- 2.3 Capacitance : 12000 pF ± 30% at 100Hz
- 2.4 Input Voltage : 30 Vp-p max
- 2.5 Operating Temperature : -20~+50°C
- 2.6 Storage Temperature : -20~+70°C

3. DIMENSION

: as per figure



<p>TOLERANCES UNLESS NOTED OTHERWISE</p> <p>.X ±</p> <p>.XX ±</p> <p>.XXX ±</p> <p>90° FORMED +2°</p> <p>ANGLES -1°</p> <p>FIRST ANGLE PROJECTION</p>	DRAWN		KEPO MODEL NO.	CUSTOMER			
	DESIGN		MFT-22.5T-4.8AS	CUSTOMER NO.			
	CHECKED						
	APPROVED		DWG NO.	VER	1.3	SCALE	
	DATE	05.11.12	KP3.844.815	UNIT	mm	SHEET	
	CONTRACT NO.		KEPO CO.,LTD.	TEL:(+86)574-88370330 FAX:(+86)574-88370329			
AGENCY APPROVAL							