

受 控

# SPECIFICATION

## 1. SCOPE

This specification is applied to the piezo-element.

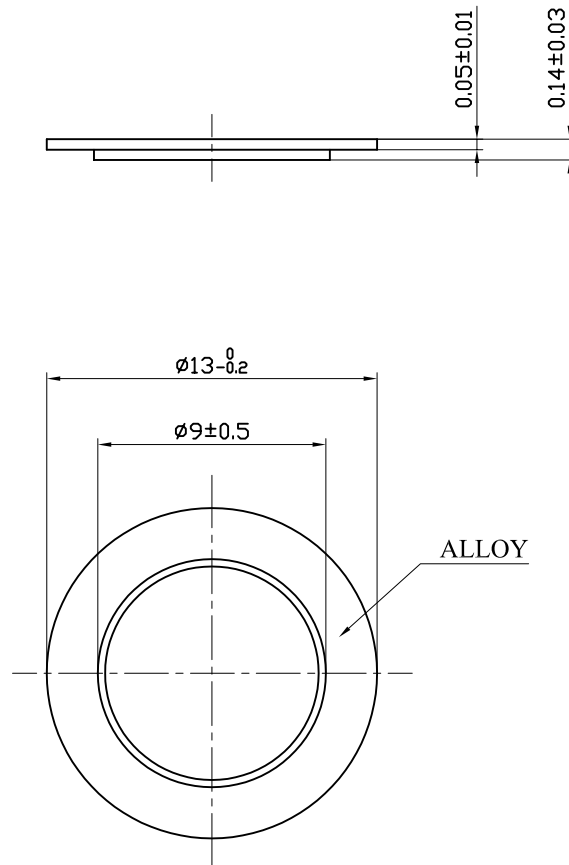
## 2. SPECIFICATION

(at25°C)

- 2.1 Resonant Frequency : 4.2± 0.5KHz
- 2.2 Resonant Resistace : 1000 Ω max
- 2.3 Capacitance : 15000pF± 30% at 100Hz
- 2.4 Input Voltage : 30Vp-p max
- 2.5 Operating Temperature : -20~+80°C
- 2.6 Storage Temperature : -20~+90°C
- 2.7 Insulation Resistance (at 25VD.C.): 50M Ω min.
- 2.8 Highest Operating Temperature : 160°C (for 1 hours)

## 3. DIMENSION

: as per figure

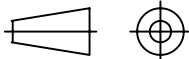


TOLERANCES UNLESS NOTED OTHERWISE

.X ±  
.XX ±  
.XXX ±

90° FORMED +2°  
ANGLES -1°

FIRST ANGLE PROJECTION



DRAWN	汪逸	KEPO MODEL NO.	CUSTOMER		
DESIGN		FT-13N-4.2A1 (耐高温)	CUSTOMER NO.		
CHECKED					
APPROVED	徐锦生	DWG NO.	VER	1.2	SCALE
DATE	12.08.17	KP3.845.821	UNIT	mm	SHEET
CONTRACT NO.			KEPO CO.,LTD.	TEL:(+86)574-88370330 FAX:(+86)574-88370329	
AGENCY APPROVAL					