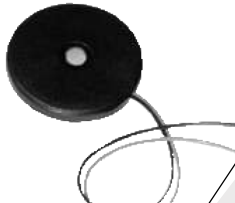


Series	Model	Diameter (Ømm)	Height (mm)	Rated Voltage (V)	Capacitance (pF)	SPL (dB)	Frequency (Hz)	Terminal	Page No.
DB-E1478	147PZ12450	12.0	7.5	12V p-p	6000	80 / 10cm	4500	P	64
DB-E1178	117PZ13400	12.0	8.5	3V p-p	10000	70 / 10cm	4000	P	61
DB-E1108	110PZ13400	12.6	7.0	3V rms	12000	70 / 10cm	4000	P	60
DB-E1678	167PZ13400	12.7	7.0	3V rms	15000	75 / 10cm	4000	P	67
DB-E1548	154PZ14480	13.6	4.2	5V p-p	12000	80 / 10cm	4800	L	65
DB-E1648	164PZ14400	14.0	5.6	3V rms	18000	75 / 10cm	4000	P	67
DB-E658	65PZ14400	14.0	6.8	9V p-p	13000	80 / 10cm	4000	P	56
DB-E1198	119PZ15500	14.8	6.8	12V p-p	12000	85 / 10cm	5000	P	61
DB-E1348	134PZ16400	16.0	2.5	3V p-p	14000	73 / 10cm	4000	M	62
DB-E678	67PZ17400	16.5	4.0	9V p-p	9500	80 / 10cm	4000	L	56
DB-E538	53PZ17400	16.5	6.7	3V p-p	10000	75 / 10cm	4000	P	53
DB-E478	47PZ17400	16.8	7.0	9V p-p	12000	80 / 10cm	4000	P	51
DB-E1208	120PZ17200	16.8	7.0	3V rms	23000	75 / 10cm	2000	L	61
DB-E1208	120PZ17280	16.8	7.0	3V rms	23000	80 / 10cm	2800	L	61
DB-E1058	105PZ17400	17.0	5.2	3V rms	6500	80 / 10cm	4000	M	58
DB-E1098	109PZ18400	17.5	7.6	3V rms	14000	85 / 10cm	4000	P	59
DB-E1068	106PZ21200	21.4	9.2	3V rms	17000	80 / 10cm	2000	M	59
DB-E1068	106PZ21400	21.4	9.2	3V rms	9000	80 / 10cm	4000	M	59
DB-E608	60PZ22400	22.0	7.0	3V rms	15000	80 / 10cm	4000	P	55
DB-E698	69PZ22400	22.0	7.0	3V rms	15000	80 / 10cm	4000	P	56
DB-E1318	131PZ22200	22.0	10.8	3V p-p	30000	70 / 10cm	2000	P	62
DB-E1318	131PZ22400	22.0	10.8	3V p-p	15000	85 / 10cm	4000	P	62
DB-E1078	107PZ23204	22.5	9.0	10V p-p	24000	80 / 10cm	2048	P	59
DB-E518	51PZ23500	23.0	4.3	12V p-p	15000	70 / 30cm	5000	L	52
DB-E508	50PZ23400	23.0	5.0	12V p-p	24000	80 / 30cm	4000	L	52
DB-E988	98PZ23300	23.0	8.2	9V p-p	24000	80 / 10cm	3000	P	58
DB-E1238	123PZ24550	24.0	4.0	15V p-p	18000	90 / 10cm	5500	L	62
DB-E598	59PZ24300	24.0	5.5	3V rms	30000	85 / 10cm	3000	L	55
DB-E598	59PZ24400	24.0	5.5	3V rms	20000	80 / 10cm	4000	L	55
DB-E338	33PZ24400	24.0	7.5	9V p-p	17000	85 / 10cm	4000	P	50
DB-E1398	139PZ25200	25.0	2.5	3V rms	35000	70 / 10cm	2000	L	63
DB-E788	78PZ22200	26.5 x 22.0	7.1	3V p-p	20000	70 / 10cm	2000	P	57
DB-E1618	161PZ28420	27.6	2.1	9V p-p	35000	85 / 10cm	4200	L	66
DB-E1588	158PZ27410	27.6	2.8	9V p-p	35000	85 / 10cm	4100	L	66
DB-E1558	155PZ28400	27.7	2.9	9V p-p	25000	85 / 10cm	4000	L	65
DB-E1448	144PZ29300	29.0	2.8	9V p-p	24000	85 / 10cm	3000	L	63
DB-E398	39PZ30130	30.0	5.5	12V p-p	45000	75 / 10cm	1300	L	50
DB-E398	39PZ30350	30.0	5.5	3V p-p	25000	75 / 10cm	3500	L	50
DB-E558	55PZ30250	30.0	5.5	3V rms	50000	80 / 10cm	2500	L	54
DB-E558	55PZ30400U	30.0	5.5	3V rms	25000	85 / 10cm	4000	L	54
DB-E548	54PZ30180	30.0	10.0	3V rms	50000	80 / 10cm	1800	P	53
DB-E548	54PZ30250	30.0	10.0	3V rms	25000	80 / 10cm	2500	P	53

DB-E1398

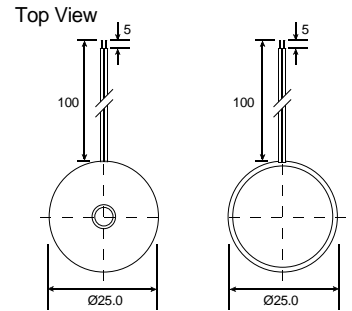


COLOUR	HOUSING	TERMINAL
BLACK	ABS	LEADWIRE

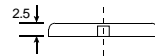
ELECTRICAL SPECIFICATIONS

Model No.	139PZ25200
Sound Pressure Level	73 dBA min. (3V rms sine wave, 10cm, 2000Hz)
Capacitance	35000 pF ± 30% at 120Hz
Max. Input Voltage	40V p-p
Operating Temperature	-20 ~ +70°C
Weight	5 g

DIMENSION

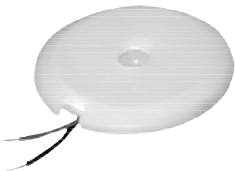


Side View



all dimensions are in mm

DB-E1448

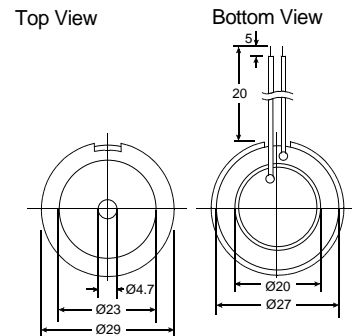


COLOUR	HOUSING	TERMINAL
WHITE	PP	LEADWIRE

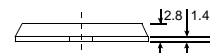
ELECTRICAL SPECIFICATIONS

Model No.	144PZ29300
Sound Pressure Level	85 dBA min. (9V p-p square wave, 10cm, 3000Hz)
Capacitance	24000 pF ± 30% at 1000Hz
Max. Input Voltage	40V p-p
Operating Temperature	-30 ~ +70°C
Weight	2 g

DIMENSION



Side View



all dimensions are in mm

DB-E1468

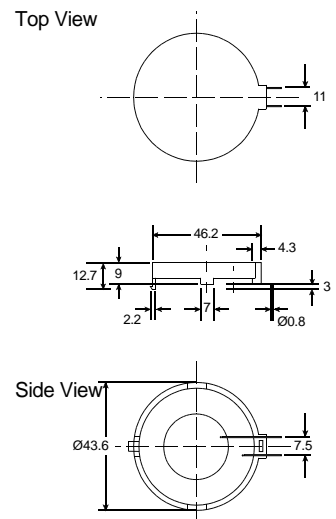


COLOUR	HOUSING	TERMINAL
BLACK	ABS	PIN

ELECTRICAL SPECIFICATIONS

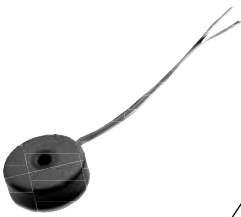
Model No.	146PZ44100
Sound Pressure Level	70 dBA min. (12V p-p square wave, 30cm, 1000Hz)
Capacitance	66000 pF ± 30% at 120Hz
Max. Input Voltage	30V p-p
Operating Temperature	-20 ~ +60°C
Weight	5.5 g

DIMENSION



all dimensions are in mm

DB-E1548



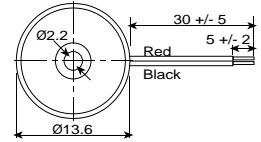
COLOUR	HOUSING	TERMINAL
BLACK	ABS	LEADWIRE

ELECTRICAL SPECIFICATIONS

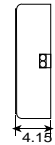
Model No.	154PZ14480-LA
Sound Pressure Level	80 dBA min. (5V p-p square wave, 10cm, 4.8KHz)
Capacitance	12000 pF ± 30% at 120Hz
Max. Input Voltage	30V p-p
Operating Temperature	-20 ~ +60°C
Weight	3 g

DIMENSION

Top View

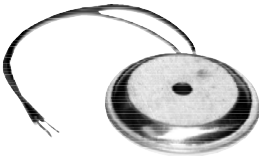


Side View



all dimensions are in mm

DB-E1558



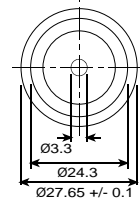
COLOUR	HOUSING	TERMINAL
SILVER	ALUMINIUM	LEADWIRE

ELECTRICAL SPECIFICATIONS

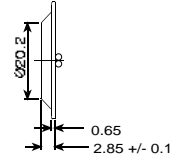
Model No.	155PZ28400-LM
Sound Pressure Level	85 dBA min. (9V p-p square wave, 10cm, 4Hz)
Capacitance	25000 pF ± 30% at 120Hz
Max. Input Voltage	30V p-p
Operating Temperature	-20 ~ +60°C
Weight	2 g

DIMENSION

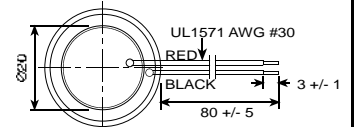
Top View



Side View



Bottom View



all dimensions are in mm

DB-E1578



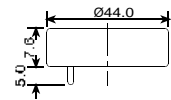
COLOUR	HOUSING	TERMINAL
BLACK	ABS	PIN

ELECTRICAL SPECIFICATIONS

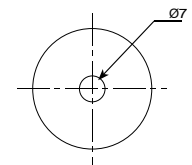
Model No.	157PZ44070-PA
Sound Pressure Level	80 dBA min. (9V p-p square wave, 10cm, F1=700Hz F2=2.3KHz)
Capacitance	80000 pF ± 30% at 120Hz
Max. Input Voltage	40V p-p
Operating Temperature	-20 ~ +60°C
Weight	12 g

DIMENSION

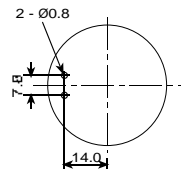
Top View



Side View



Bottom View



all dimensions are in mm