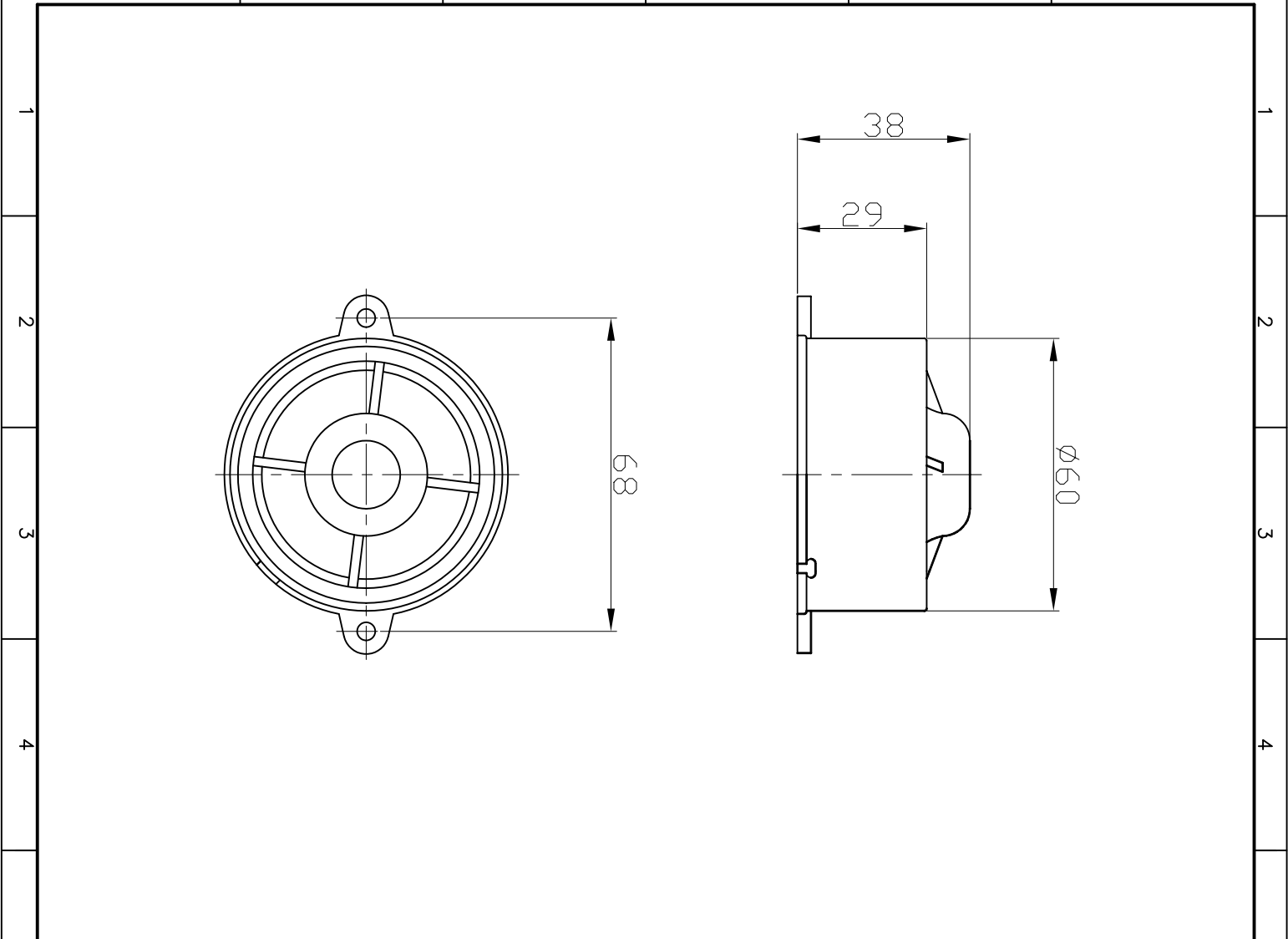


A B C D E F



# Specification

(Test Condition, 25°C)

- 1. Rated Impedance.....4~8 Ω
- 2. Rated Noise Power.....8W
- 3. Max. Input Power.....15W
- 4. Min. Sound Pressure Level.....106.5dB
- 5. Rated Frequency Range.....1400Hz
- 6. Resonant Frequency.....1400~4000Hz
- 7. Shell Material / Color.....Nylon
- 8. Operating Temperature.....-20~+70°C
- 9. Store Temperature.....-20~+80°C
- 10. Weight.....108g

No.		DESCRIPTION		APPROVED	DATE	<b>DSW</b> NINGBO DSW AUDIO & SECURITY EQUIPMENT <a href="http://www.dswbrand.com">http://www.dswbrand.com</a> fax: +8657487264906	
COLLECTOR'S SIGNATURE		DRAWN		APPROVALS	DATE	UNIT	DWG NO.
X		XX		CHECKED		mm	E3.840.022
90° FORMED ±2°		FIRST ANGLE PROJECTION		APPROVED	04.05.05	SCALE	SHEET
						NOT TO SCALE	VER 1.0

F E D C B A

1 2 3 4 5 6 7 8