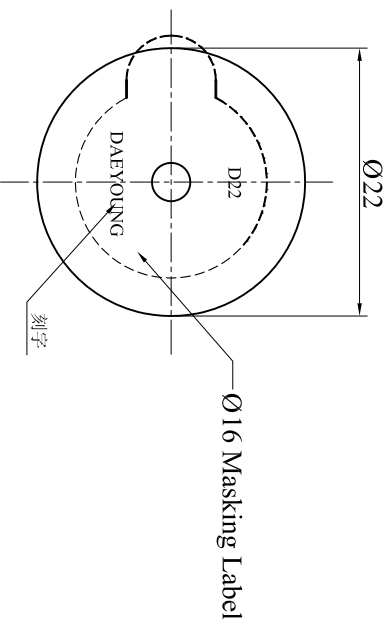


SPECIFICATION

1. Rated Voltage9Vp-p Square Wave
2. Operating Voltage3~30Vp-p Square Wave
3. Max. Rated Current3mA at 9Vp-p/2.0KHz
4. Resonant Frequency2.0±0.5KHz
5. Min. Sound Pressure Level.....78dB at 9Vp-p/2.0KHz/10cm
6. Capacitance at 100Hz.....30000pF±30%
7. Shell Material/ColorPC/Black
8. Operating Temperature-20~+80°C
9. Store Temperature-30~+100°C
10. Weight2.5g



Compliance with ROHS

KEPO NINGBO KEPO ELECTRONIC CO.,LTD
<http://www.chinaacoustic.com>

QUARTZ-1

Piezo Buzzer
 CBEG2220BS-1509

| No. | DESCRIPTION | APPROVED | DATE | UNIT | DWG NO. | SHEET | VER. |
|-----|---|----------|----------|------|----------|-------|------|
| | DATE OVERSPEAKERS X XX ± 90° ANGLES ±2° | | | mm | OEM1509R | | 1.0 |
| | FIRST ANGLE PROJECTION | 梁樹榮 | 10.10.21 | | | | |

Compliance with ROHS

KEPO NINGBO KEPO ELECTRONIC CO.,LTD
<http://www.chinaacoustic.com>

QUARTZ-1

Piezo Buzzer
 CBEG2220BS-1509

| No. | DESCRIPTION | APPROVED | DATE | UNIT | DWG NO. | SHEET | VER. |
|-----|---|----------|----------|------|----------|-------|------|
| | DATE OVERSPEAKERS X XX ± 90° ANGLES ±2° | | | mm | OEM1509R | | 1.0 |
| | FIRST ANGLE PROJECTION | 梁樹榮 | 10.10.21 | | | | |