

# SPECIFICATION

## FOR APPRONAL

Customer : \_\_\_\_\_

Product Name : Strobe Light \_\_\_\_\_

Model Name : VSL-04 \_\_\_\_\_

Drawing No. : VS20140227002 \_\_\_\_\_

### Signature of Voice

| Approved by | Checkde by | Issued by | Date |
|-------------|------------|-----------|------|
|             |            |           |      |

 **福爱斯电子有限公司**  
VOISE ELECTRONICS CO.,LTD.

Address:No 96 Mogao Dongqian Lake Industial Area ningbo,China,  
Tel:0086-0574-87773030;Fax:0086-0574-87471600 P.C.315121  
<http://www.nbvoise.com> Email:sales@nbvoise.com



|                                |              |               |
|--------------------------------|--------------|---------------|
| Specification for Strobe Light | Page         | 3/5           |
|                                | Revision No. | 1.0           |
|                                | Drawing No.  | VS20140227002 |
| Model No. : VSL-04             |              |               |

## 2. Scope

This specification is applied to the siren used for sounder in alarm systems, Please contact us when using this product for any other applications than described in the above.

## 3. General

- 2.1 Out-Diameter : 69.5 mm
- 2.2 Height : 56 mm
- 2.3 Weight : 90 ±10g
- 2.4 Operating Temperature range:  
-20~+60℃ without loss of function
- 2.5 Store Temperature range:  
-30~+70℃ without loss of function

## 4. Electrical and Acoustic Characteristics.

Test condition : 15 ~ 35 ℃, 25% ~ 85% RH, 860~1060 mbar

| No | Items               | Specification                      |
|----|---------------------|------------------------------------|
| 1  | Rated Voltage       | 12V and 24V DC                     |
| 2  | Working Voltage     | 9-30V DC                           |
| 3  | Max Rated Current   | 150mA/12VDC                        |
| 4  | Flash Frequency     | 95±20 Per Minute                   |
| 5  | Operating Life      | 500 Hours Continuous Duty At 12VDC |
| 6  | Case Material/Color | ABS/Black                          |
| 7  | Lens Material/Color | Acrylic/Amber、 Red                 |
| 8  | Wires Connection    | Red +12VDC、 Black GND              |

# Specification for Strobe Light

Page

4/5

Revision No.

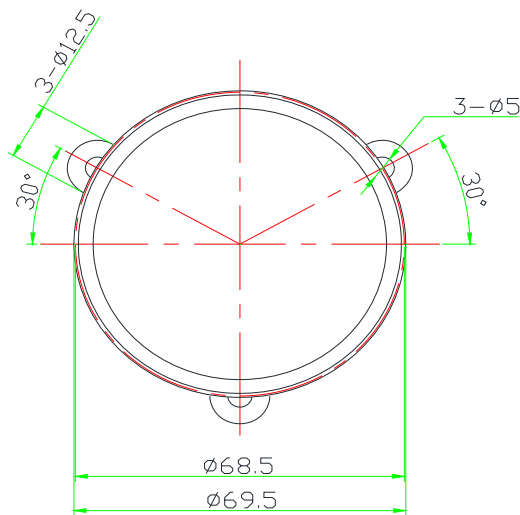
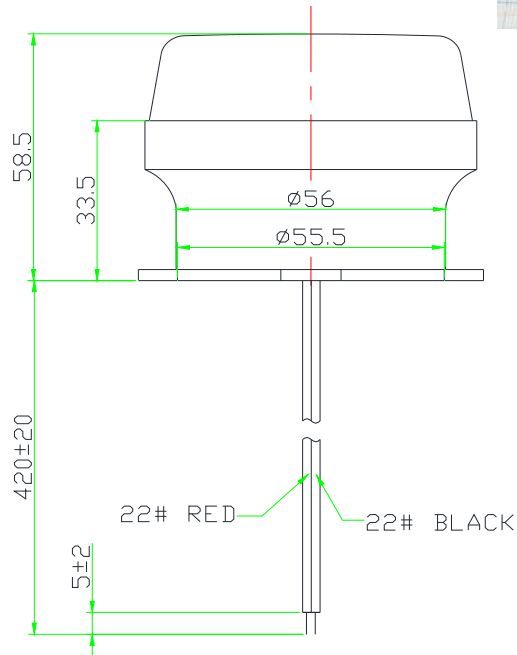
1.0

Model No. : VSL-04

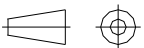
Drawing No.

VS20140227002

## 5. Dimensions



FIRST ANGLE PROJECTION



UNIT : mm

Tolerance :  $\pm 1.5$

# Specification for Strobe Light

Page

5/5

Revision No.

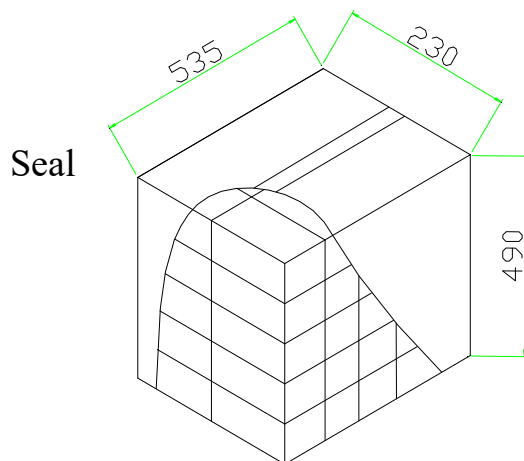
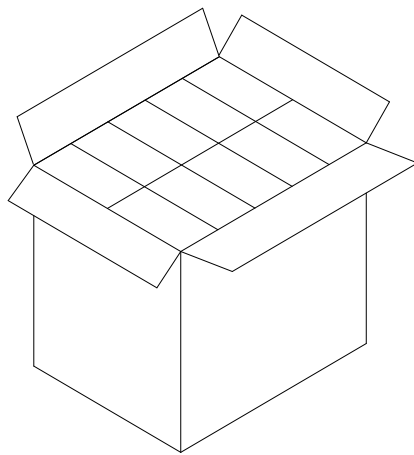
1.0

Model No. : VSL-04

Drawing No.

VS20140227002

## 6. Packing



QTY: 50Pcs  
535x230x490mm