



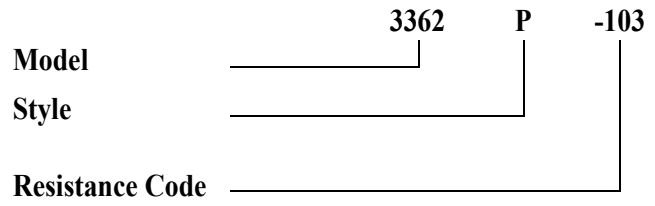
MODEL NO.3362



FEATUREs :

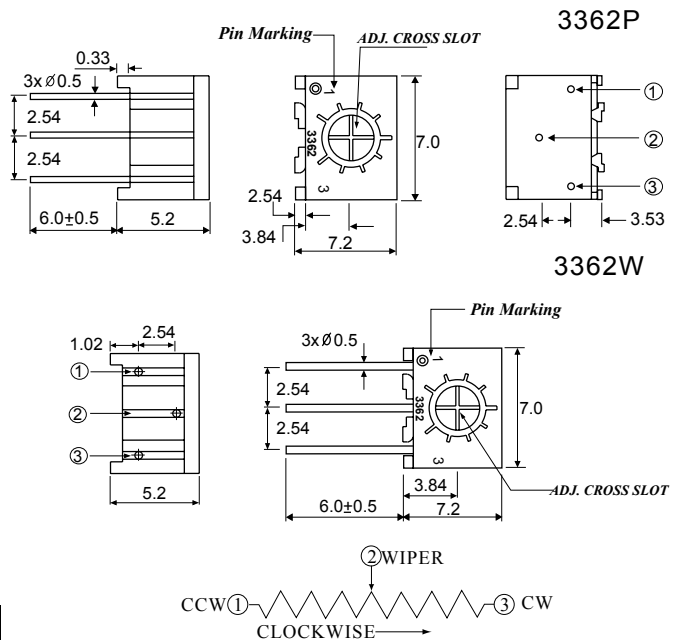
- 1/4" Square Shape
- Cermet/ Industrial/ Sealed
- Single Turn Adjust with Unique Centre Tapped
- Horizontal Adjust Type Available

HOW T O ORDER



OUTLINE DRAWING & DIMENSIONS (mm)

Standard Resistance Table	
Resistance (Ω)	Resistance Code
10	100
20	200
50	500
100	101
200	201
500	501
1,000	102
2,000	202
5,000	502
10,000	103
20,000	203
50,000	503
100,000	104
200,000	204
500,000	504
1,000,000	105
2,000,000	205



Electrical Characteristics

- Power Rating0.5W @ 70°C, 160Vmax
0W @ 125°C, 160Vmax
- Resistance Range50 Ω ~ 2M Ω
- Insulation Resistance1G Ω
- Contact Resistance Variation3% or 5 Ω
- End Resistance1% or 10 Ω
- Max. Operating Voltage300V_{AC}

Mechanical Characteristics

- Effective Electrical Travel (Turns)250 \pm 10 0
- Rolational Torque \leq 30mNm

Environmental Characteristics

- Operating Temperature Range ...-55°C ~ +125°C
- Temperature Coefficient \pm 250ppm/ $^{\circ}$ C