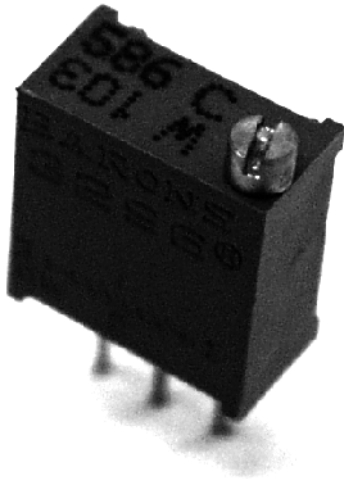




# MODEL NO.3296



### FEATURES :

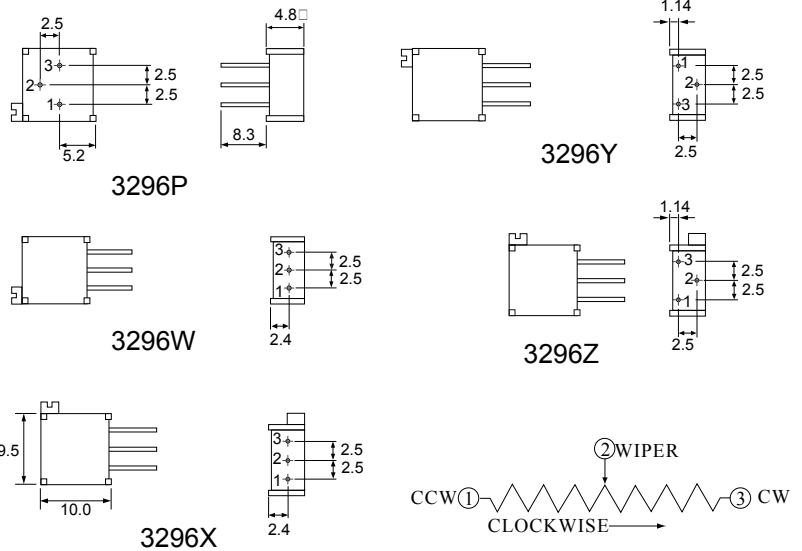
- 3/8" Square Shape
- Cermet/ Industrial/ Sealed
- Multiturn Adjust
- Vertical/ Horizontal Adjust Types Available
- Low PCB Profile (P Model) - Only 1/5" High

### HOW TO ORDER

**Model** 3296 W -103  
**Style** \_\_\_\_\_  
**Resistance Code** \_\_\_\_\_

### OUTLINE DRAWING & DIMENSIONS (mm)

Standard Resistance Table	
Resistance (Ω)	Resistance Code
10	100
20	200
50	500
100	101
200	201
500	501
1,000	102
2,000	202
5,000	502
10,000	103
20,000	203
50,000	503
100,000	104
200,000	204
500,000	504
1,000,000	105
2,000,000	205



### Electrical Characteristics

Power Rating	..... 0.5W @70°C 0W @125°C
Resistance Range	..... 10 Ω~2MΩ
Insulation Resistance	..... 1GΩ
Contact Resistance Variation	..... 2% or 20Ω
End Resistance	..... 1% or 2Ω
Max. Operating Voltage	..... 300VAC

### Mechanical Characteristics

Effective Electrical Travel (Turns)	..... 25
Rotational Torque	..... ≤ 35mNm

### Environmental Characteristics

Operating Temperature Range	..... -55°C ~ +125°C
Temperature Coefficient	..... ±100ppm/°C