

## NX3225GB

For Automotive

### ■ Features

A small surface-mount type crystal unit, ideal for an engine control CPU clock; delivering the high reliability that is particularly demanded by automotive.

- Compact and thin. (3.2 x 2.5 x 0.75 mm typ.)
- High resistance to solder cracking.
- Stable start-up characteristics even under extremely severe environmental conditions.
- Excellent environment-resistant performance, including heat, vibration and shock resistance.
- Meets the requirements for re-flow profiling using lead-free solder.
- Conforms to AEC-Q200.



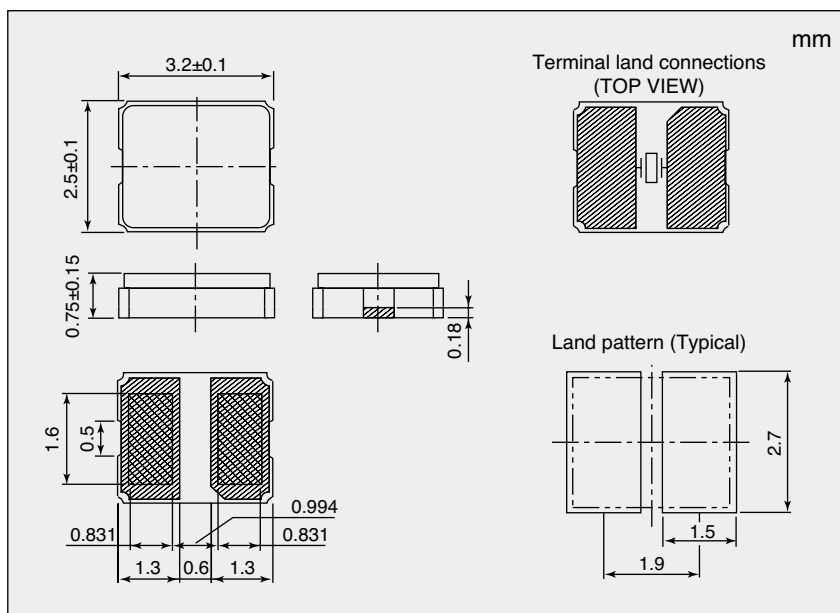
RoHS Compliant  
Directive 2011/65/EU

### ■ Specifications

Item	Model	NX3225GB
Nominal Frequency		12 to 50 MHz
Overtone Order		Fundamental
Frequency Tolerance (25 ±3 °C)		±50 × 10 <sup>-6</sup>
Frequency versus Temperature Characteristics (with reference to +25 °C)		±150 × 10 <sup>-6</sup>
Operating Temperature Range		-40 to +150 °C
Storage Temperature Range		-40 to +150 °C
Equivalent Series Resistance		Refer to *1
Level of Drive		10 μW (Max. 200 μW)
Load Capacitance		8 pF
Specifications Number		STD-CRA-2

\*If you required 7.98 to 12MHz, please refer to NX3225GD.

### ■ Dimensions



\*1 Equivalent Series Resistance

Nominal frequency (MHz)	Equivalent Series Resistance max. [Ω]
12 to 20	120
20 to 50	100

Please specify the model name, frequency, and specification number when you order products.  
For further questions regarding specifications, please feel free to contact us.

# Mouser Electronics

Authorized Distributor

Click to View Pricing, Inventory, Delivery & Lifecycle Information:

[NDK:](#)

[NX3225GB-10.000M-STD-CRA-2](#) [NX3225GB-16M-STD-CRA-2](#)