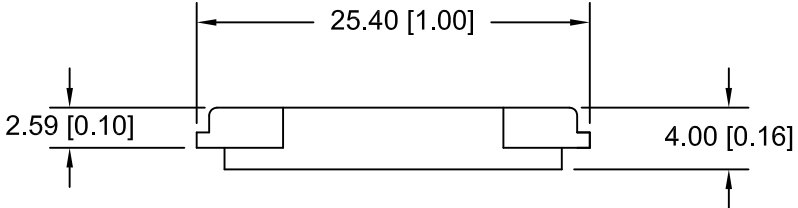
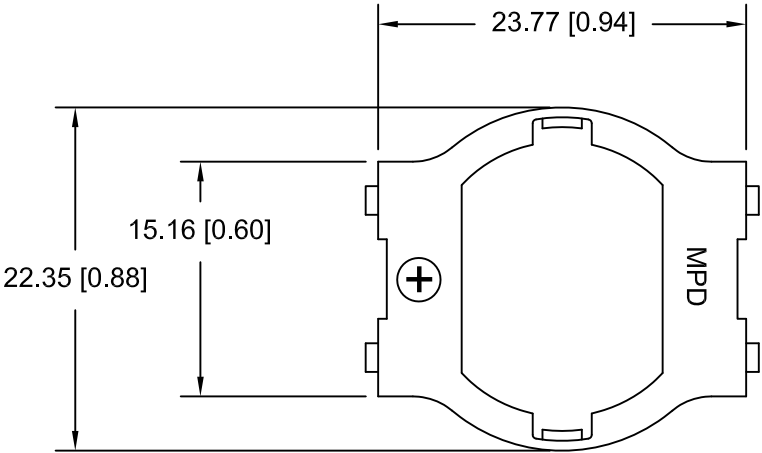



Date	SYM	REVISION RECORD	AUTH	DR.	CK.
02/17/12	A	Updated Specification	T.B.	B.S.	
03/09/12	B	Updated UL Rating	T.B.	B.S.	

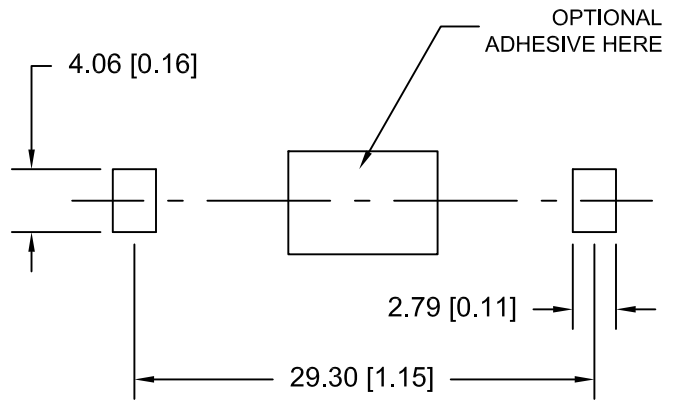
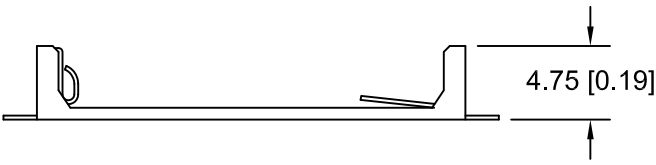
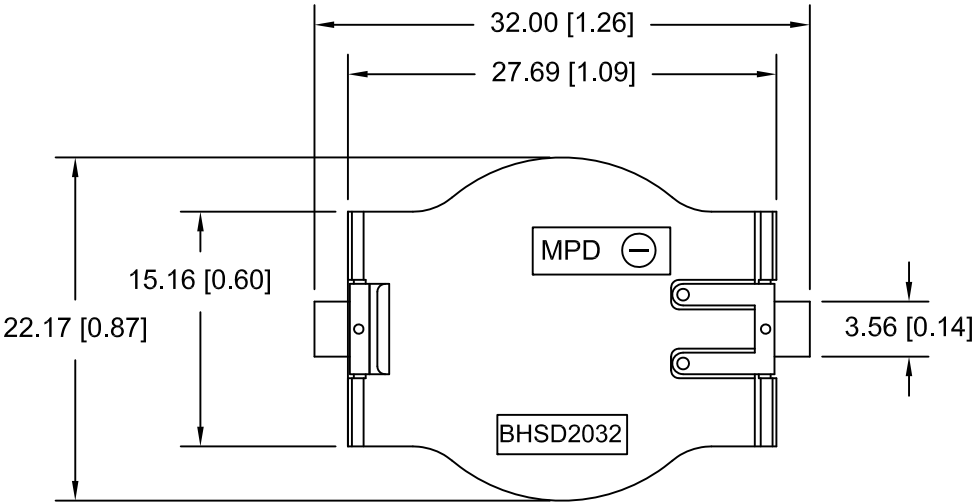


**SPECIFICATIONS:**

\* Material- Polypropylene, High environment stress crack resistance,  
 Color Clear  
 Flammability rating: UL94-HB, file no. E107536

Tolerance (Inches)	 <b>Memory Protection Devices, Inc</b> 200 Broad Hollow Road, Farmingdale, New York 11735		
Decimal ±.5 (.020)		Scale	Drawn By B.S.
Fractional ± .8 (.030)	Title COVER FOR BHSD-2032		
Angular ± 3°	Date 03/09/12	Drawing Number BHSD-2032-COVER	
		Approved By T.B.	


Date	SYM	REVISION RECORD	AUTH	DR.	CK.
06/03/11	B	CHANGED PCB LAYOUT DIM.	T.B.	B.S.	
06/10/11	C	UPDATED SPECIFICATIONS	T.B.	B.S.	
06/30/11	D	ADDED DROP TEST RESULT	T.B.	B.S.	
02/24/12	E	ADDED OPTIONAL ADHESIVE NOTE TO PCB LAYOUT	T.B.	B.S.	



**PCB LAYOUT**

**SPECIFICATIONS:**

- \* Holder material- LCP Vectra, Color white, UL File No. E174096
- \* Contacts : Phosphor Bronze C5191, Gold Flash, 1u - 3u thickness
- \* Temperature range: -40°C to +280°C
- \* Vibration Test: 10-50-10 Hz swept in 60 seconds  
X,Y,Z direction: 1 hour each direction
- \* Result: No dislodgement of the cell or damage  
No discontinuity over 10 micro-seconds
- \* Shock Test: Half sine wave acceleration 150G. 6 micro-seconds  
3 shock pulses each direction per axis, total of 18 pulses
- \* Result: No evidence of physical damage
- \* Drop Test: 1meter - No dislodgement of cell
- \* ROHS Compliant

Tolerance (Inches)	 <b>Memory Protection Devices, Inc</b> 200 Broad Hollow Road, Farmingdale, New York 11735		
Decimal ±.5 (.020)	Scale	Drawn By B.S. Approved By T.B.	
Fractional ±.8 (.030)	Title BASE, CR2032 SURFACE MOUNT BATTERY		
Angular ± 3°	Date 02/24/12	Drawing Number BHS2032-SM	