

SPECIFICATION

1. SCOPE

This specification is applied to the piezo-element.

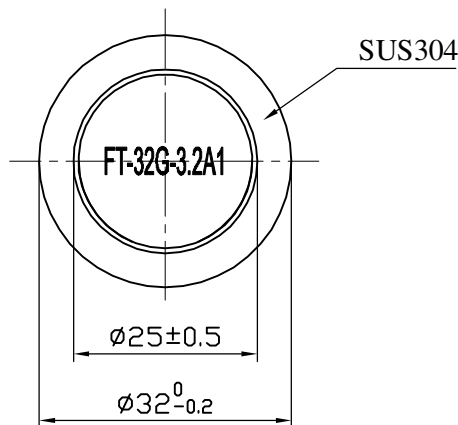
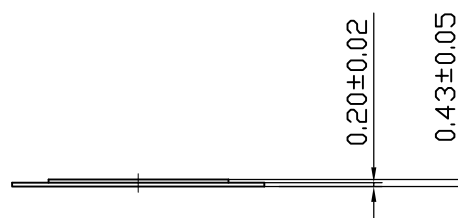
2. SPECIFICATION

(at 25°C)

- 2.1 Resonant Frequency : 3.2 ± 0.8 KHz
- 2.2 Resonant Resistace : 500 Ω max
- 2.3 Capacitance : 45000 pF ± 30% at 100Hz
- 2.4 Input Voltage : 30 Vp-p max
- 2.5 Operating Temperature : -20~+60°C
- 2.6 Storage Temperature : -20~+70°C

3. DIMENSION

as per figure



TOLERANCES UNLESS NOTED OTHERWISE .X ± .XX ± .XXX ± 90° FORMED +2° ANGLES -1°	DRAWN		KEPO MODEL NO.	CUSTOMER			
	DESIGN		FT-32G-3.2A1-1720	QUARTZ-1			
	CHECKED			CUSTOMER NO.			
	APPROVED		DWG NO.				
	DATE	05.08.09	OEM1720				
	CONTRACT NO.				VER	1.0	SCALE
FIRST ANGLE PROJECTION 		AGENCY APPROVAL		UNIT	mm	SHEET	
				KEPO CO.,LTD.		TEL:(+86)574-88370330 FAX:(+86)574-88370329	