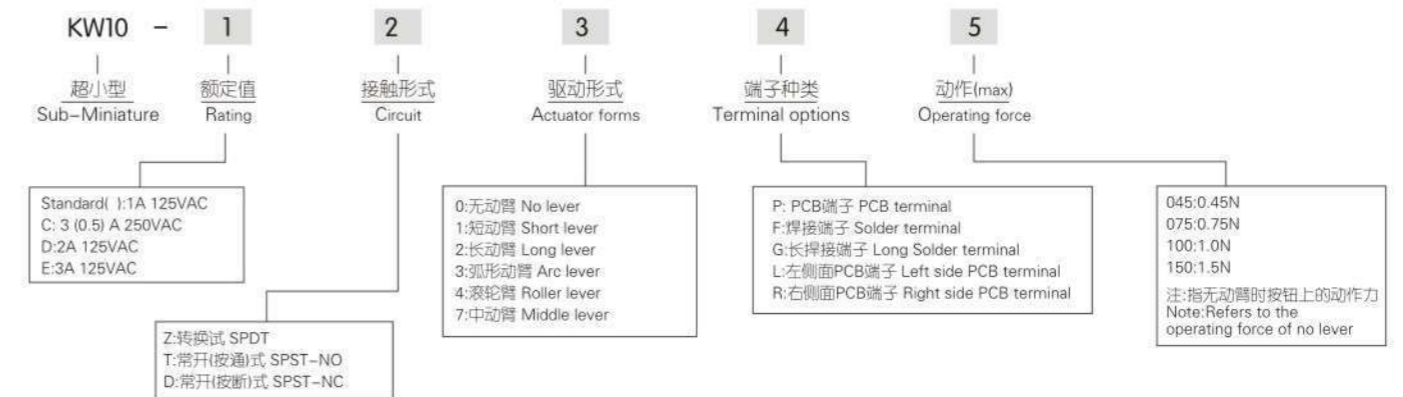


超小型微动开关 Sub-Miniature Micro Switch

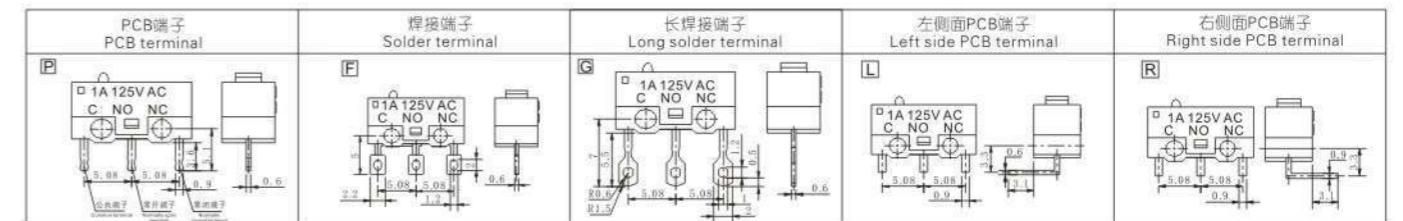
技术特性 Specifications

1. 规格 Rating: 1A~3A 125/250VAC
2. 接触电阻 Contact Resistance: $\leq 50m\Omega$
3. 绝缘电阻 Insulation Resistance: $\geq 100M\Omega (500VDC)$
4. 耐电压 Dielectric strength: 600VAC 1Minute
5. 操作温度 Operating Temperature: $-25^{\circ}C \sim +75^{\circ}C$
6. 环境湿度 Ambient Humidity Used: $< 85\% RH$
6. 电气寿命 Electrical Life: $\geq 10,000$ Cycles
7. 机械寿命 Mechanical Life: $\geq 100,000$ Cycles

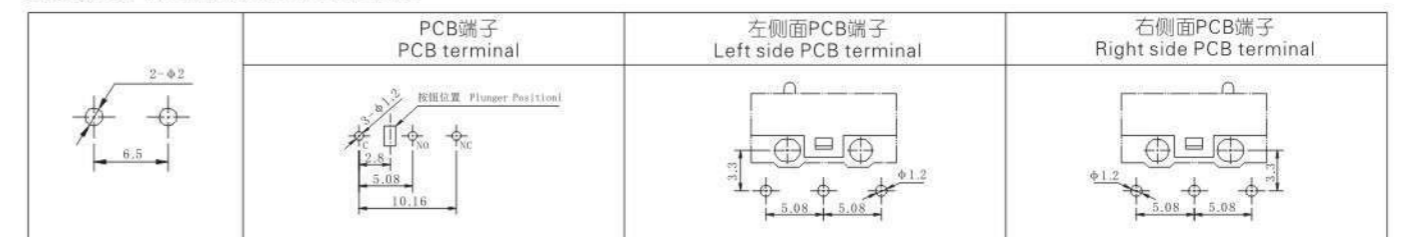
选型说明 How to order



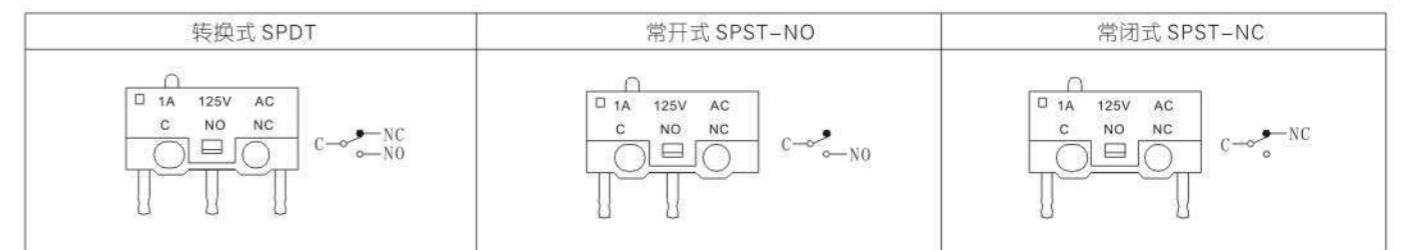
端子尺寸 Terminal dimensions



安装孔尺寸 Mounting hole dimensions



接触形式说明书 Circuit illustration



外形尺寸 Dimension

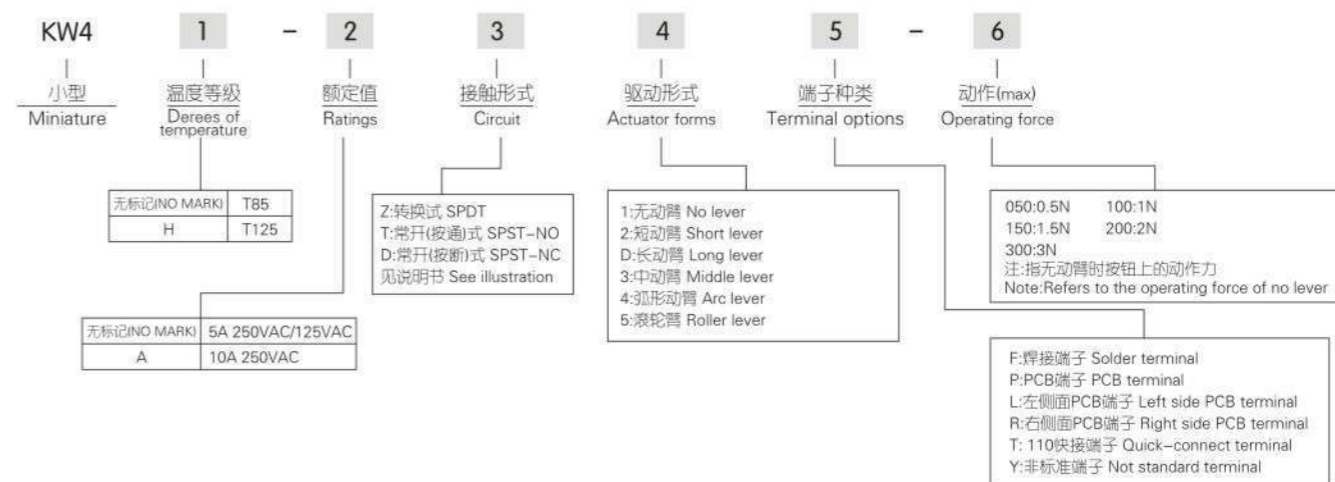
	<p>KW10-Z0P075 1A 125VAC KW10-CZ0P075 3A 250VAC KW10-DZ0P075 2A 125VAC KW10-EZ0P075 3A 125VAC</p>		
	<p>KW10-Z1P075 1A 125VAC KW10-CZ1P075 3A 250VAC KW10-DZ1P075 2A 125VAC KW10-EZ1P075 3A 125VAC</p>		
	<p>KW10-Z2P075 1A 125VAC KW10-CZ2P075 3A 250VAC KW10-DZ2P075 2A 125VAC KW10-EZ2P075 3A 125VAC</p>		
	<p>KW10-Z3P075 1A 125VAC KW10-CZ3P075 3A 250VAC KW10-DZ3P075 2A 125VAC KW10-EZ3P075 3A 125VAC</p>		
	<p>KW10-Z4P075 1A 125VAC KW10-CZ4P075 3A 250VAC KW10-DZ4P075 2A 125VAC KW10-EZ4P075 3A 125VAC</p>		
	<p>KW10-Z7P075 1A 125VAC KW10-CZ7P075 3A 250VAC KW10-DZ7P075 2A 125VAC KW10-EZ7P075 3A 125VAC</p>		

小型微动开关 Miniature Micro Switch

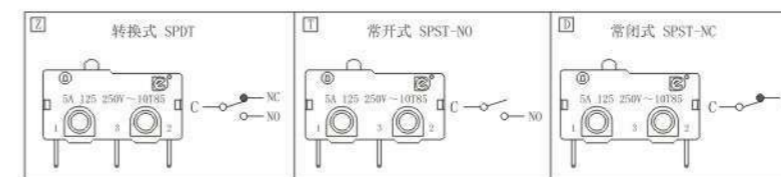
技术特性 Specifications

1. 规格 Rating: 5A~10A 125/250VAC
2. 接触电阻 Contact Resistance: $\leq 50m\Omega$
3. 绝缘电阻 Insulation Resistance: $\geq 100M\Omega$ (500VDC)
4. 耐电压 Dielectric strength: 1000VAC 1Minute
5. 操作温度 Operating Temperature: $-25^{\circ}C \sim +85^{\circ}C$
6. 环境湿度 Ambient Humidity Used: $< 85\%RH$
6. 电气寿命 Electrical Life: $\geq 10,000$ Cycles
7. 机械寿命 Mechanical Life: $\geq 100,000$ Cycles

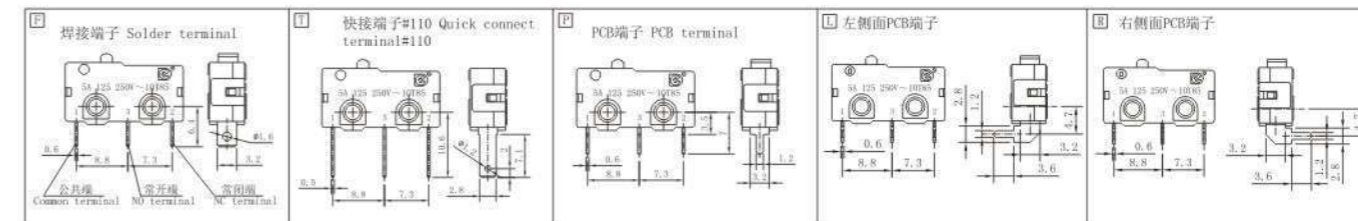
选型说明 How to order



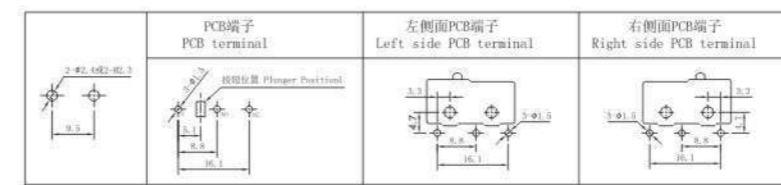
接触形式说明书 Circuit illustration



接线端子尺寸 Terminal dimensions



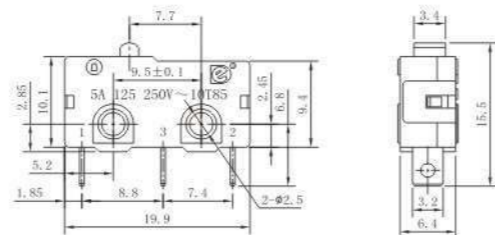
安装孔尺寸 Mounting hole dimensions



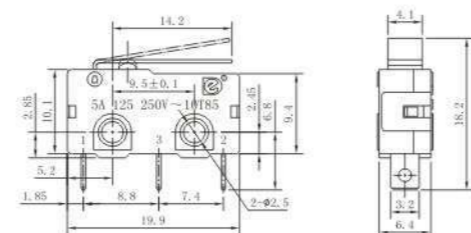
外形尺寸 Dimension



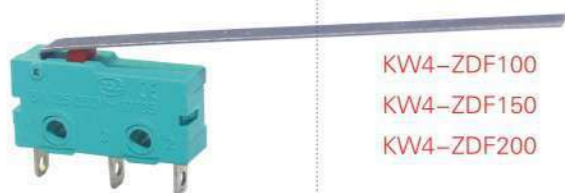
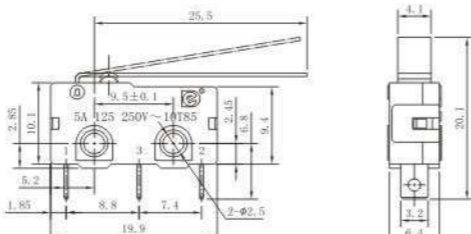
KW4-Z1F100
KW4-Z1F150
KW4-Z1F200



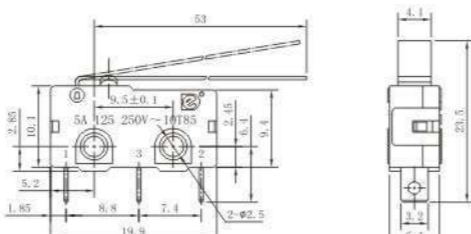
KW4-Z2F100
KW4-Z2F150
KW4-Z2F200



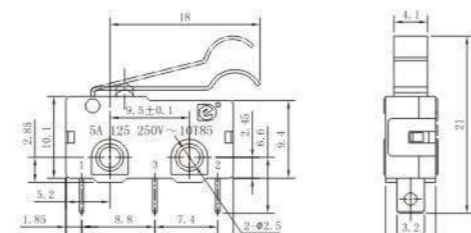
KW4-Z3F100
KW4-Z3F150
KW4-Z3F200



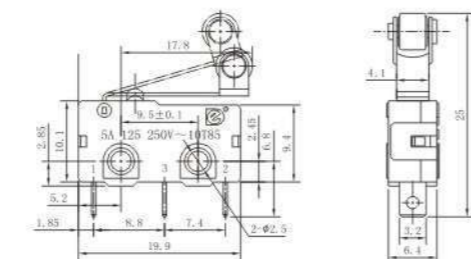
KW4-ZDF100
KW4-ZDF150
KW4-ZDF200



KW4-Z4F100
KW4-Z4F150
KW4-Z4F200



KW4-Z5F100
KW4-Z5F150
KW4-Z5F200



中型微动开关系列 Medium Micro Switch

技术特性 Specifications

- 规格 Rating: 16A 250VAC/20A 125VAC
- 接触电阻 Contact Resistance: $\leq 30m\Omega$
- 绝缘电阻 Insulation Resistance: $\geq 100M\Omega$ (500VDC)
- 耐电压 Dielectric strength: 1500VAC 1Minute
- 操作温度 Operating Temperature: $-25^{\circ}C \sim +85^{\circ}C$
- 环境湿度 Ambient Humidity Used: $<85\%RH$
- 电气寿命 Electrical Life: $\geq 10,000$ Cycles
- 机械寿命 Mechanical Life: $\geq 100,000$ Cycles

注:指无动臂时按钮上的动作力 Note:Refers to the operating force of no lever

选型说明 How to order

KW1-103 1 - 2 3 4 5 6

中型 Medium 温度等级 Degrees of temperature 额定值 Rating 接触形式 Circuit 驱动形式 Actuator forms 端子种类 Terminal options 动作(max) Operating force

无标记(NO MARK)	T85,10T105		Z:转换式 SPDT T:常开(接通)式 SPST-NO D:常开(断开)式 SPST-NC 见说明书 See illustration	1:无动臂 No lever A2/2:短动臂 Short lever A3/3:中动臂 Middle lever A4/4:长动臂 Long lever A5/5:弧形动臂 Arc lever A6/6:短滚轮 Roller lever A7/7:长滚轮 Long roller A11/11:大弯臂 Big Arc lever A12/12:长弯臂 Long Big Arc lever A13/13:三角形弯臂 Arc Roller lever	050: 0.5N 100: 1N 150: 1.5N 200: 2N 300: 3N 400: 4N
--------------	------------	--	---	--	--

KW1-103:
25(10):25(10)A250VAC
25:25(4)A250VAC
16:16(4)A250VAC/16A 125VAC

KW1-103H:
10:10(3) A250VAC/10A125VAC
5:5(2)A250VAC/5A125VAC

KW1-103G:
22:22A125VAC
10:10A125VAC

KW1-103T:
21:21(4)A250VAC
16:16(4)A250VAC/16A 125VAC
10:10(3)A250VAC/10A 125VAC

05:5(2)A250VAC/5A125VAC
01:1(0.3)A250VAC/1A125VAC

05:05A125VAC/0.1A30VDC, 1A30VDC
01:1A125VAC/0.1A30VDC, 1A30VDC

注:1A表示动臂安装在靠近按钮位置,无字
5A表示动臂安装在离按钮较远位置。
Note:1A indicate the lever near to the plunger, no A indicate the lever far away from the plunger.

A:250快接端子 Quick-connect terminal
B:焊接/快接#187共用端子(t=0.8mm)
Solder/Quick-connect terminal#187
C:187快接端子(t=0.5mm)
187 quick-connect terminal(t=0.5mm)
D:左侧面PCB端子 Left side PCB terminal
E:螺孔端子 Screw terminal
F:焊接端子 Solder terminal
G:右侧面PCB端子 Right side PCB terminal
Y:非标准端子 Not standard terminal


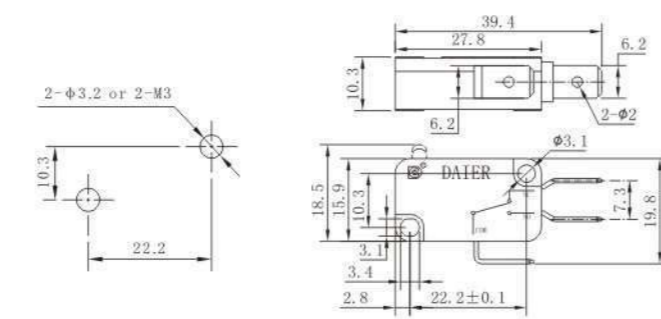

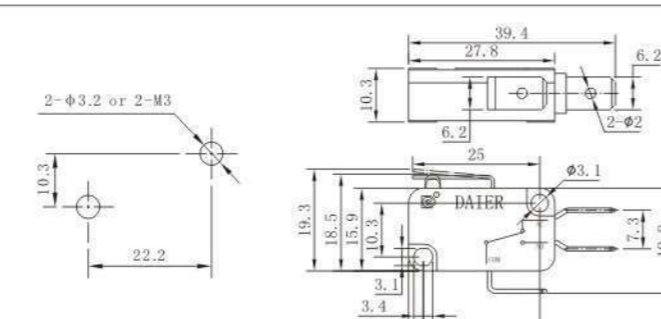

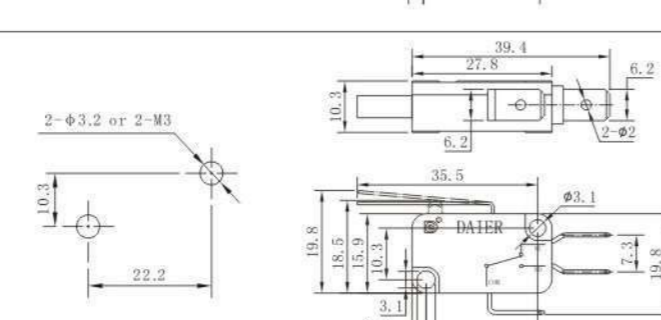

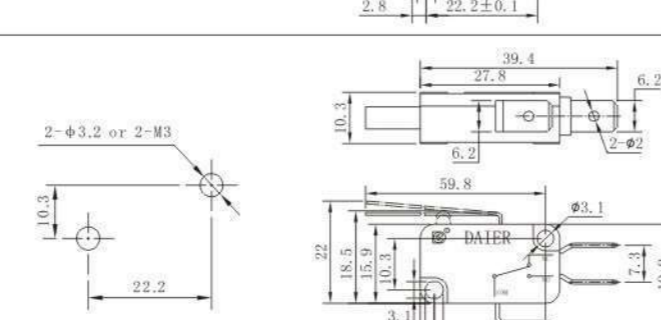

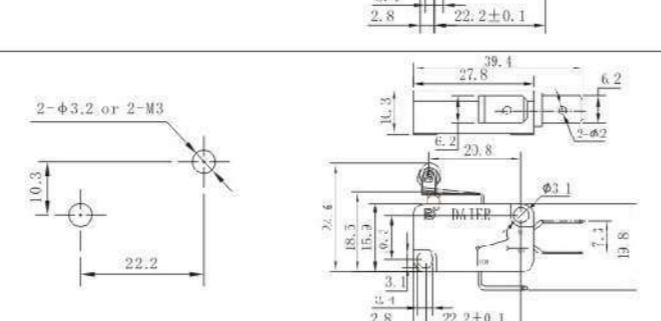
接触形式说明书 Circuit illustration


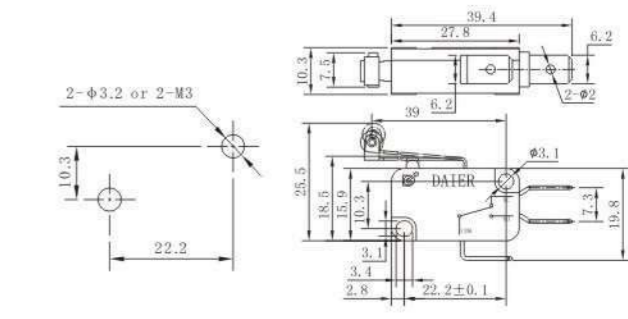

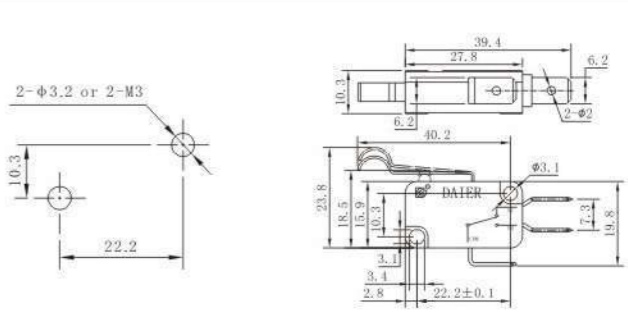

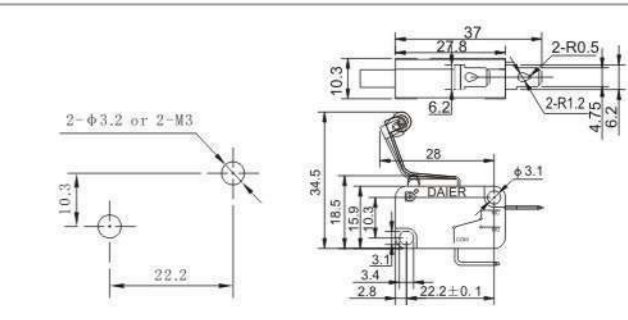

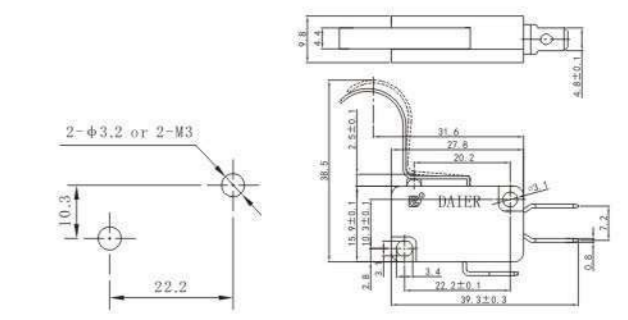

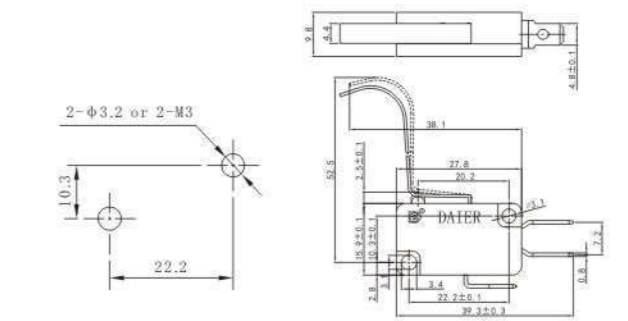
公共端子类型 Common terminal types	转换式 SPDT	常闭式 SPST-NC	常开式 SPST-NO	公共端子类型 Common terminal types	转换式 SPDT	常闭式 SPST-NC	常开式 SPST-NO
公共端在底部 Bottom common terminal				公共端在侧面 Side common terminal			

接线端子尺寸 Terminal dimensions

快接端子#250(t=0.8mm) Quick-connect terminal#250	焊接/快接#187共用端子(t=0.8mm) Solder/Quick-connect terminal#187	快接端子#187(t=0.5mm) Quick-connect terminal#187	左侧面PCB端子 Left side PCB terminal	螺孔端子 Screw terminal	焊接端子 Solder terminal	右侧面PCB端子 Right side PCB terminal

外形尺寸 Dimension

	<p>KW1-103-Z1A100 KW1-103-Z1A150 KW1-103-Z1A200 KW1-103-Z1A300</p>	
	<p>KW1-103-Z2A100 KW1-103-Z2A150 KW1-103-Z2A200 KW1-103-Z2A300</p>	
	<p>KW1-103-Z3A100 KW1-103-Z3A150 KW1-103-Z3A200 KW1-103-Z3A300</p>	
	<p>KW1-103-Z4A100 KW1-103-Z4A150 KW1-103-Z4A200 KW1-103-Z4A300</p>	
	<p>KW1-103-Z6A100 KW1-103-Z6A150 KW1-103-Z6A200 KW1-103-Z6A300</p>	

	<p>KW1-103-Z7A100 KW1-103-Z7A150 KW1-103-Z7A200 KW1-103-Z7A300</p>	
	<p>KW1-103-Z5A100 KW1-103-Z5A150 KW1-103-Z5A200 KW1-103-Z5A300</p>	
	<p>KW1-103-D13B100 KW1-103-D13B150 KW1-103-D13B200 KW1-103-D13B300</p>	
	<p>KW1-103-Z11A100 KW1-103-Z11A150 KW1-103-Z11A200 KW1-103-Z11A300</p>	
	<p>KW1-103-Z12A100 KW1-103-Z12A150 KW1-103-Z12A200 KW1-103-Z12A300</p>	

		
KW1-103-Z2B-D	WK1-1 6A 125V; 3A 250VAC	G303-A3 0.1A 250VAC;3A12VDC IP67
		
KW1-103-Q Air Pressure Switch	KW-1037 16~26A 250VAC	G303-A13 0.1A 250VAC;3A12VDC IP67
		
BVM3 ON-(OFF) 10A 250VAC;15A 125VAC	KW-1038 16~26A 250VAC	WS1-Z3-F150 5A 250VAC IP67
		
HS-1 有声型	KW-1039 16~26A 250VAC	WS1-Z6-W150R200 5A 250VAC IP67
		
KW4-OZ 6A 125VAC; 3A 250VAC	WS3-Z3-F150 2A 250VAC;3A 30VDC IP67	WS2-Z6F200 10A 125/250VAC IP67
		
WK3-1 6A 125VAC; 3A 250VAC	G1105 5A 250VAC IP67	WS2-Z4W200 10A 125/250VAC IP67

		
Z-15G-B	Z-15HW24-B	D4MC-1000
		
Z-15GD-B	Z-15HW78-B	D4MC-1020
		
Z-15GW21-B	Z-15GW2277-B	D4MC-2000
		
Z-15GW-B	Z-15GQ-B	D4MC-2020
		
Z-15GW22-B	Z-15GQ22-B	D4MC-5000
		
Z-15GW2-B	Z-15GQ21-B	D4MC-5020