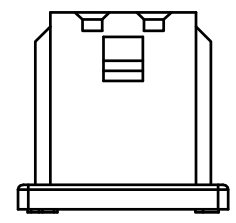
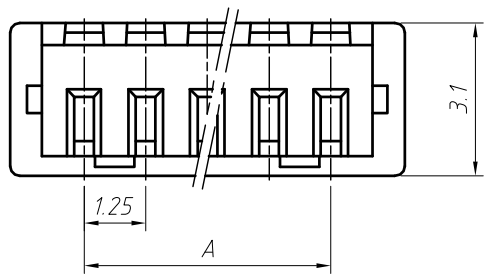
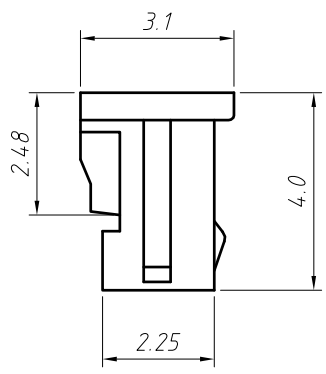
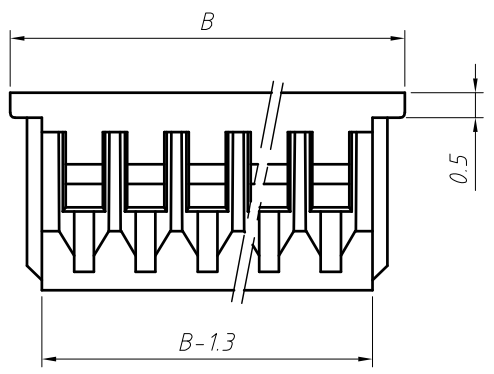
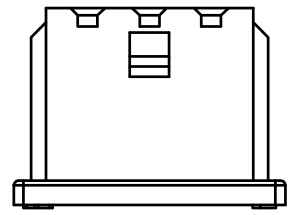
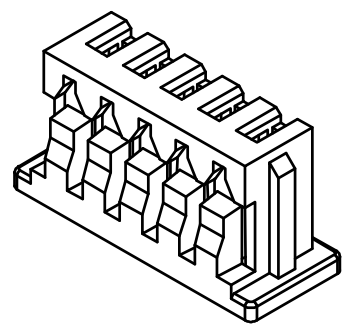


1 2 3 4 5 6 7 8

A
B
C
D
E
F
G
H



2P



3P

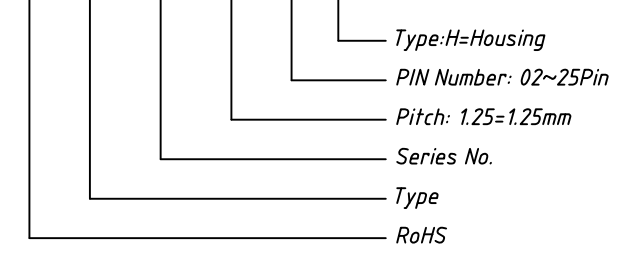
Circuit	Dimensions(mm)	
	A	B
02	1.25	4.25
03	2.50	5.50
04	3.75	6.75
05	5.00	8.00
06	6.25	9.25
07	7.50	10.50
08	8.75	11.75
09	10.00	13.00
10	11.25	14.25
11	12.50	15.50
12	13.75	16.75
13	15.00	18.00
14	16.25	19.25
15	17.50	20.50
16	18.75	21.75
--	---	---
25	30.00	33.00

Material:
Housing:PA66(UL 94V-0/V-2),White

- Electrical Characteristics:
- 1.Poles: 2 to 25P
 - 2.Current rating: 1.0A
 - 3.Voltage rating: 125V
 - 4.Temperature range: -25°C to +85°C
 - 5.Contact resistance: $\leq 20m\Omega$
 - 6.Insulation resistance: $\geq 100M\Omega$
 - 7.Withstand voltage: 500V AC/minute
 - 8.Applicable wire: AWG #32 to #28
 - 9.Applicable PC board thickness: 0.8mm

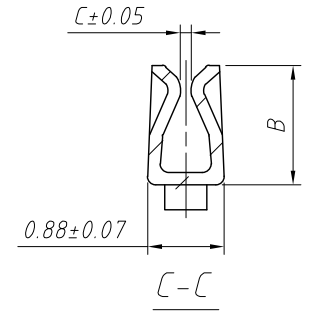
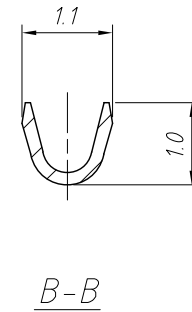
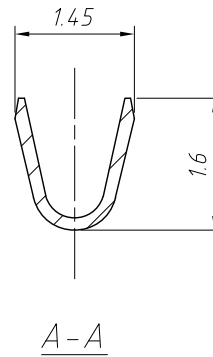
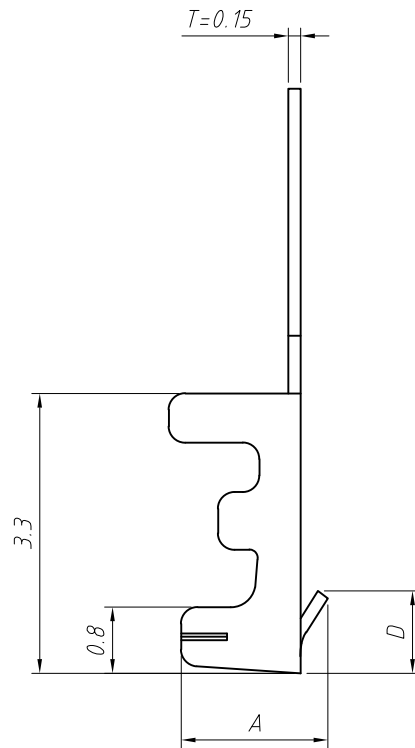
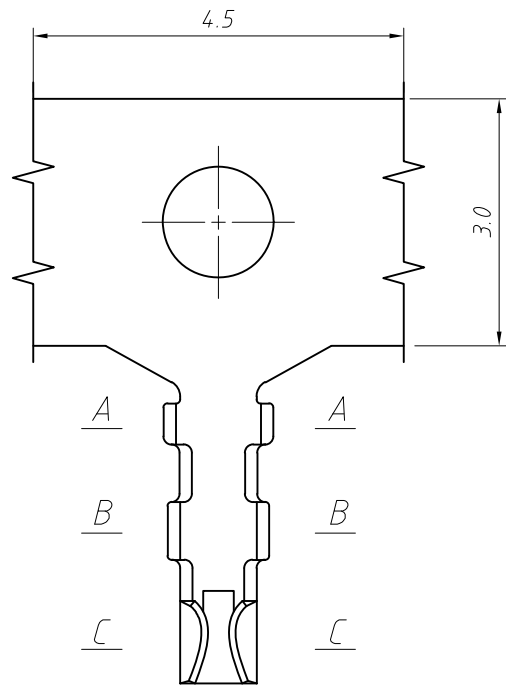
Order Information

L-KLS1-XL1-1.25-XX-H



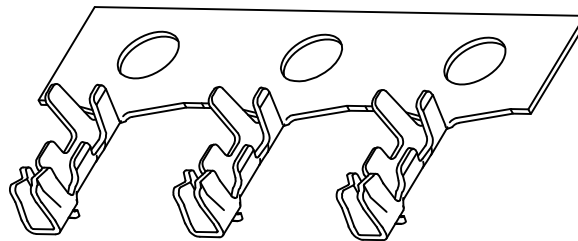
GENERAL TOLERANCE	PROJECTION		Description:
X. ± 0.50	UNITS	mm	1.25mm Type Wire To Board Connector
.X ± 0.25	SCALE	1:1	
.XX ± 0.10	Draw by:	Jenny	
ANGLE TOLERANCE	Check by:		KLS P/N: L-KLS1-XL1-1.25-XX-H
X. $\pm 5^\circ$	Date	2018-03-01	NingBo KLS ELECTRONIC CO.,L TD.
.X $\pm 3^\circ$	SHEET	1 OF 1	
.XX $\pm 2^\circ$			

1 2 3 4 5 6 7 8



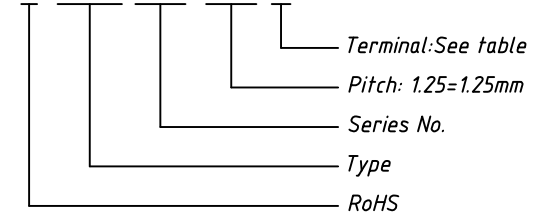
A	B	C	D	Material	Finish	Qty/reel
1.78	1.45	0.13	1.0	Phosphor Bronze	TIN	12000 PCS

Electrical Characteristics:
 Current rating: 1.0A
 Voltage rating: 125V
 Temperature range: -25°C to +85°C5.
 Contact resistance: ≤20mΩ
 Insulation resistance: ≥100MΩ
 Withstand voltage: 500V AC/minute
 Applicable wire: AWG #32 to #28
 Applicable PC board thickness: 0.8mm



Order Information

L-KLS1-XL1-1.25-T



GENERAL TOLERANCE	PROJECTION		Description:
X. ±0.50	UNITS	mm	1.25mm Type Wire To Board Connector
.X ±0.25	SCALE	1:1	
.XX ±0.10	Draw by:	Jenny	
ANGLE TOLERANCE	Check by:		KLS P/N: L-KLS1-XL1-1.25-T
X. ±5°	Date	2018-03-01	NingBo KLS ELECTRONIC CO.,L TD.
.X ±3°	SHEET	1 OF 1	
.XX ±2°			