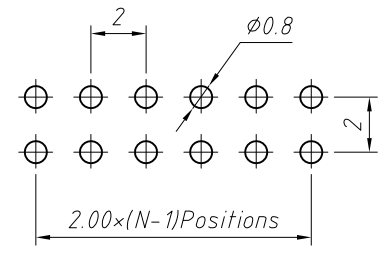
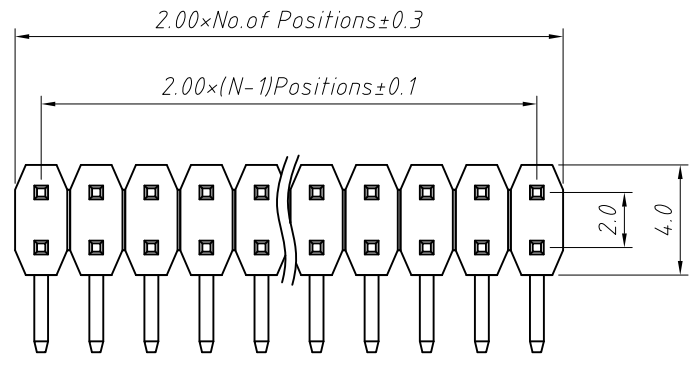


1 RoHS Compliance

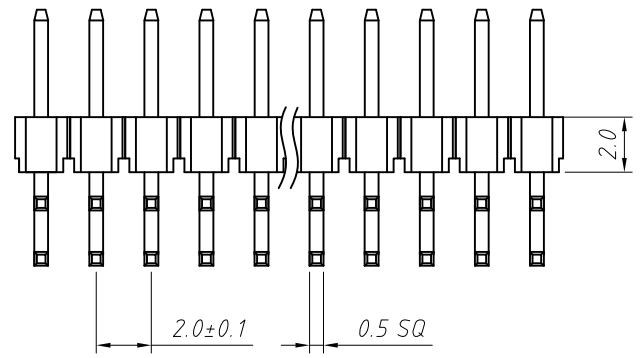


Recommended P.C.B Hole Layout

Material:  
Standard:PBT  
Contact:Brass  
Insulator:Polyester,UL 94 V-0

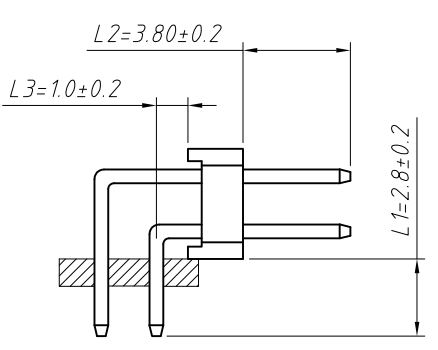
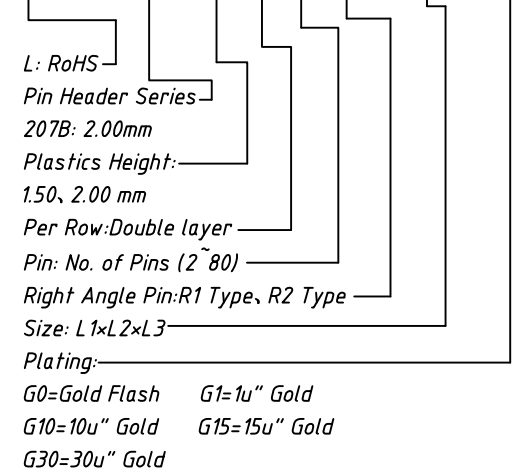
Electrical Characteristics:  
Rated Current: 1.5AMP  
Contact Resistance: 20mΩ Max  
Withstand Voltage: 500V AC/DC  
Insulator Resistance: 1000MΩ Min

Mechanical  
Operating Temperature: -40°C ~ +105°C

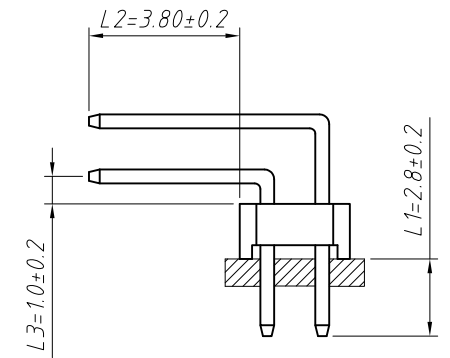


Dimension antitheses list (mm)				
ITEM	L1	L2	L3	Plastic Height
Standard	2.80	3.80	1.00	2.00
Nonstandard	---	---	---	---

Order Information:  
L-KLS1-207B-2.00-2-XX-R1-L1xL2xL3-G0



R1 Type



R2 Type

ANGLE TOLERANCE	PROJECTION	Description:	2.00mm Pin Header	
±3°			Double layer, Right Angle Pin, 2xN Pin	
GENERAL TOLERANCE	UNITS	mm	KLS P/N:	L-KLS1-207B-2.00-2-XX-R-L1xL2xL3-G0
x.x ±0.30	SHEET SIZE	A4		NingBo KLS ELECTRONIC CO.,LTD.
x.xx ±0.20	Draw:	Daniel	2018-07-10	
x.xxx ±0.10	Check:	Daniel	2018-07-10	